

PrimeVOLT

USER MANUAL

Single Phase ESS String Inverter

PV 4K6HB-60

PV 4K6HB-120

PV 5KHB-120

PV 5KHB-60

PV 6KHB-120

PV 6KHB-60

PV 4K6AC

PV 5KAC

PV 6KAC



History

VERSION	ISSUED	COMMENTS
1.0	01-Mar.-23	First release

Preface

About This Manual

This manual describes the installation, connection, the use of APP, commissioning and maintenance etc. of ESS inverter. Please first read the manual and related documents carefully before using the product and store it in a place where installation, operation and maintenance personnel can reach it at any time. The illustrations in this user manual are for reference only. This user manual is subject to change without prior notice. (Specific please in kind prevail.)

Target Group

ESS inverters must be installed by professional electrical engineers who have obtained relevant qualifications.






Scope

This manual is applicable to following inverters:

- PV 4K6HB-60
- PV 4K6HB-120
- PV 5KHB-120
- PV 5KHB-60
- PV 6KHB-120
- PV 6KHB-60
- PV 4K6AC
- PV 5KAC
- PV 6KAC

Conventions

The following safety instructions and general information are used within this user manual.

 DANGER	<p>Indicates an imminently hazardous situation which, if not correctly followed, will result in serious injury or death.</p>
 WARNING	<p>Indicates a potentially hazardous situation which, if not correctly followed, will result in serious injury or death.</p>
 CAUTION	<p>Indicates a potentially hazardous situation which, if not correctly followed, could result in moderate or minor injury.</p>
 NOTICE	<p>Indicates a potentially hazardous situation which, if not correctly followed, could result in equipment failure to run, or property damage.</p>
 NOTE	<p>Call attention to important information, best practices and tips: supplement additional safety instructions for your better use of the ESS inverter to reduce the waste of you resource.</p>

Contents

Preface	II
About This Manual	II
Target Group	II
Scope	II
Conventions	II
1. Safety	01
1.1 Symbols Used	01
1.2 Safety Precaution	02
2. Product Introduction	03
2.1 Overview	03
2.2 Product Appearance	04
2.3 Model Definition	06
3. Installation	07
3.1 Packing List	07
3.2 Selecting the Mounting Location	08
3.3 Mounting	10
4. Electrical Connection	11
4.1 Grounding	16
4.2 Grid/EPS Connection	17
4.3 Battery Connection	18
4.4 PV Connection	19
4.5 Meter/CT Connection	20
4.6 Communication Connection	22









5. System Operation	33
5.1 Inverter Working Mode	33
5.2 Startup/Shutdown Procedure	41
6. Commissioning	42
6.1 Inspection	42
6.2 Commissioning Procedure	42
7. User Interface	43
7.1 LED	43
7.2 App Setting Guide	47
8. Maintenance	60
8.1 Routine Maintenance	60
8.2 Inverter Troubleshooting	61
8.3 Removing the Inverter	66
Appendix	

1 Safety

Before using the inverter, please read all instructions and cautionary markings on the unit and in this manual. Put this manual where you can take it easily.

Our ESS inverter strictly conforms to related safety rules in design and test. This inverter must be installed by the "Australia local agent professional person who authorized by manufacturer". This professional person should familiar with Australia relevant electrical regulations to ensure all installation comply with Electromechanical regulations. Local safety regulations shall be followed during installation, operation and maintenance. Incorrect operation work may cause injury or death to the operator or a third party and damage to the inverter and other properties belonging to the operator or a third party.

1.1 Symbol used

Safety Symbol	Description
	Danger of high voltage and electric shock! Only qualified personnel may perform work on the inverter.
	Danger of high voltage. Residual voltage in the inverter need 5 mins to discharge, wait 5 mins before operation.
	Danger of hot surface
	Do not disconnect under load! (Fire danger)
	Environmental Protection Use Period
	Refer to the operating instructions
	Product should not be disposed as household waste.
	Grounding terminal

The RCD used on the main solar supply circuit should be Type A 100mA. This and all associated wiring must be installed in accordance with AS /NZS 4777.1.

1.2 Safety Precaution

- Installation, maintenance and connection of inverters must be performed by qualified personnel, in compliance with local electrical standards, wiring rules and requirements of local power authorities and/or companies(for example: AS 4777 and AS/NZS 3000 in Australia).
- To avoid electric shock, DC input and AC output of the inverter must be terminated at least 5 minutes before performing any installation or maintenance.
- The temperature of some parts of the inverter may exceed 60°C during operation. Do not touch the inverter during operation to avoid being burnt.
- Ensure children are kept away from inverters.
- Don't open the front cover of the inverter. A part from performing work at the wiring terminal (as instructed in this manual), touching or changing components without authorization may cause injury to people, damage to inverters and annulment of the warranty.
- Static electricity may damage electronic components. Appropriate method must be adopted to prevent such damage to the inverter; otherwise the inverter may be damaged and the warranty annulled.
- Ensure the output voltage of the proposed PV array is lower than the maximum rated input voltage of the inverter; otherwise the inverter may be damaged and the warranty annulled.
- When exposed to sunlight, the PV array generates dangerous high DC voltage. Please operate according to our instructions, or it will result in danger to life.
- PV modules should have an IEC61730 class A rating.
- If the equipment is used in a manner not specified by the manufacturer, the protection provided by the equipment may be impaired.
- Completely isolate the inverter before maintaining. Completely isolate the inverter should: Switch off the PV switch, disconnect the PV terminal, disconnect the battery terminal, and disconnect the AC terminal.
- Prohibit inserting or pulling the AC and DC terminals when the inverter is running.
- In Australia, the inverter internal switching does not maintain the neutral continuity and the neutral continuity must be addressed by external connection arrangements.
- Don't connect Three phase hybrid inverter in the following ways:
EPS Port should not be connected to grid;
The single PV panel string should not be connected to two or more inverters.

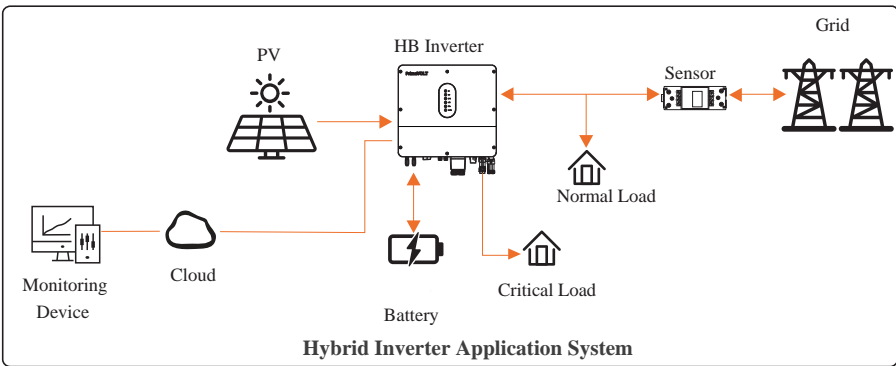
2 Product Introduction

2.1 Overview

Hybrid Inverter

The hybrid inverters are high-quality inverter which can convert solar energy to AC energy and store energy into battery. Typically, an ESS inverter system consists of PV array, ESS inverter, battery, loads and electricity sensor.

The energy generated by inverter can be preferentially supplied to its self-consumption, stored in the battery for future use or fed into public grid.

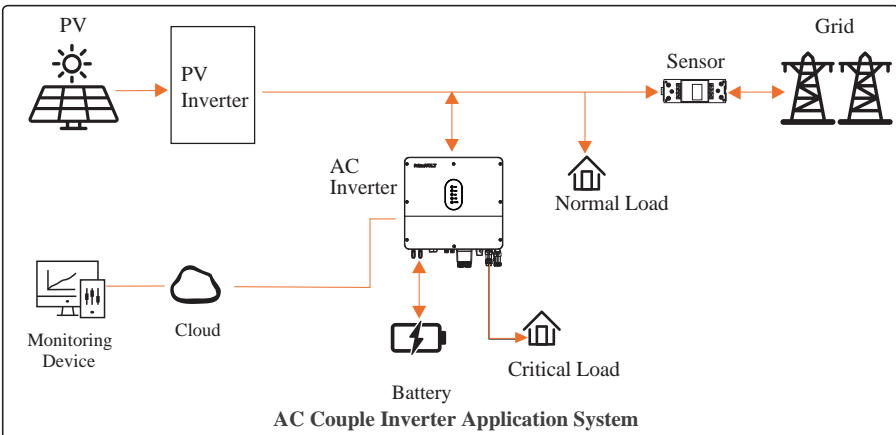


Inverters have been tested as per AS/NZS 4777.2:2020 for three phase combinations.

AC Couple Inverter

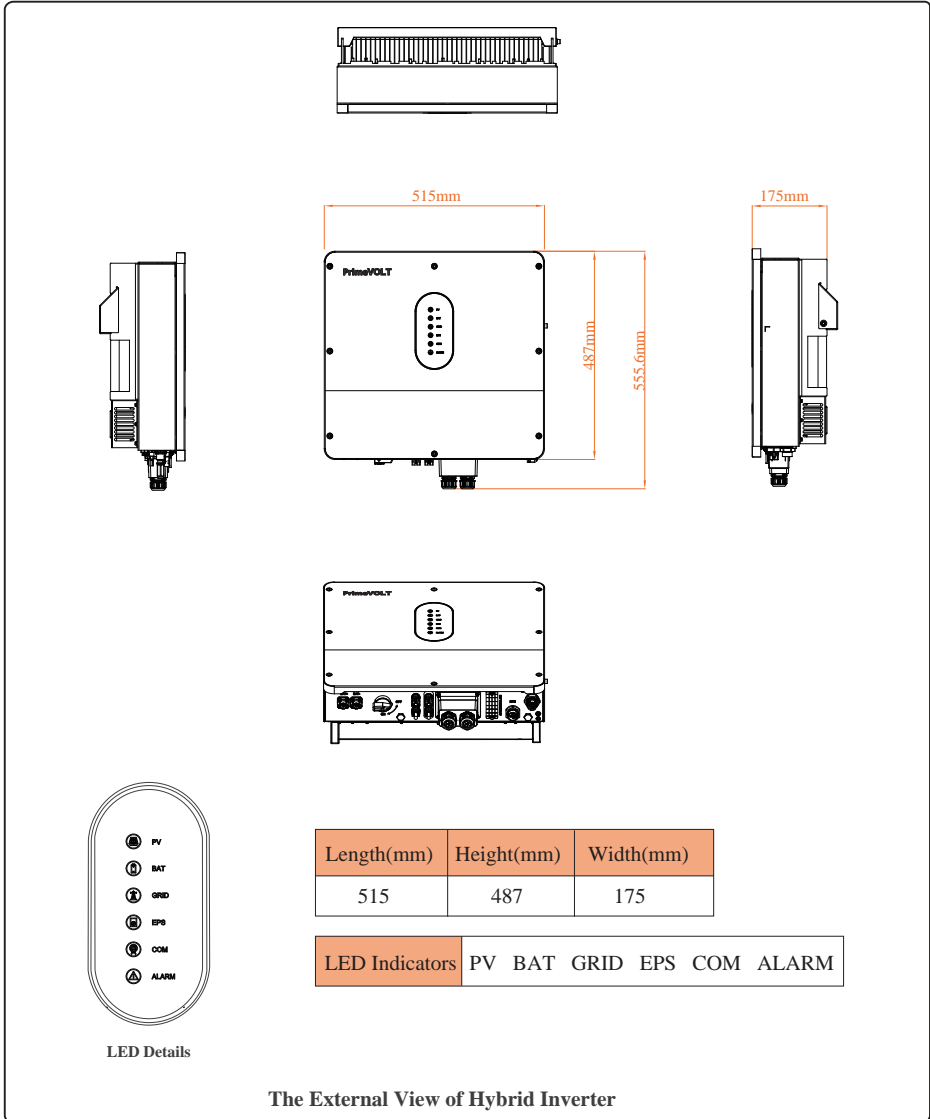
The AC couple inverters are high-quality inverter which can store energy into battery.

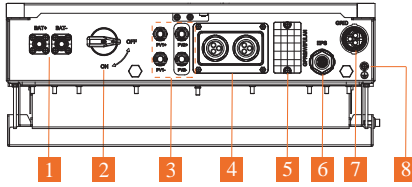
The energy generated by inverter can be preferentially supplied to its self consumption, stored in the battery for future use or fed into public grid. Work mode depends on the battery and user's preference. It can provide power for emergency use during the grid lost by using the energy from battery.



2.2 Product Appearance

2.2.1 Hybrid Inverter

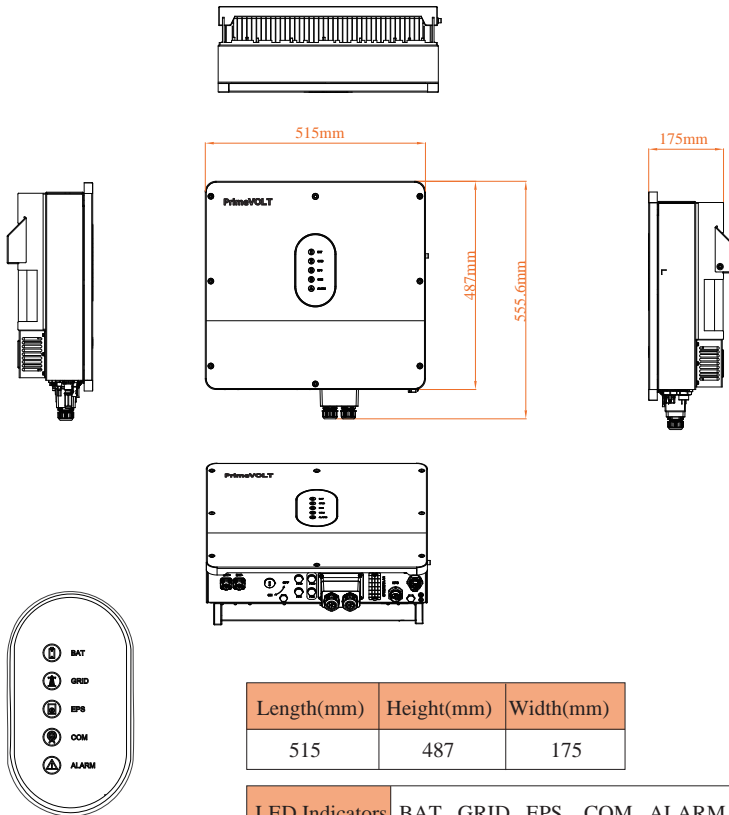




The bottom view of hybrid inverter

1. Battery Connect Terminals
2. PV Switch
3. PV Input Terminals
4. COM1 Ports (USB, PARAL, RS485, DRM, CT/METER, BMS, NTC/RMO/ DRY)
5. COM2 Port (GPRS/WIFI/LAN)
6. EPS Output Terminal
7. GRID Output Terminal
8. Grounding Terminal

2.2.2 AC Couple Inverter

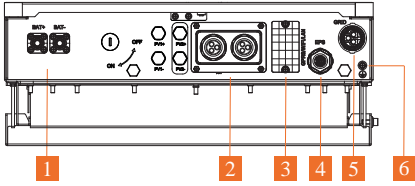


LED Details

Length(mm)	Height(mm)	Width(mm)
515	487	175

LED Indicators	BAT	GRID	EPS	COM	ALARM
----------------	-----	------	-----	-----	-------

The External View of AC Couple Inverter



The bottom view of AC Couple inverter

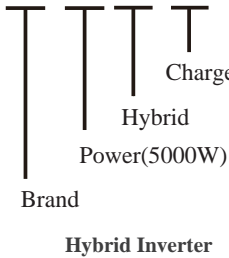
- 1. Battery Connect Terminals
- 2. COM1 Ports (USB, PARAL, RS485, DRM, CT/METER, BMS, NTC/RMO/ DRY)
- 3. COM2 Port (GPRS/WIFI/LAN)
- 4. EPS Output Terminal
- 5. GRID Output Terminal
- 6. External Protection Ground Terminal

Note: The appearances of hybrid inverter and AC couple inverter are presented in detail in this section. The following chapters are only illustrated by hybrid inverter.

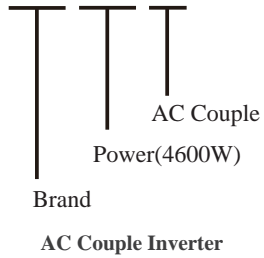
2.3 Model Definition

The letters in the product model have the specific information. (Take PV 5KHB-60/PV 4K6AC as examples.)

PV 5KHB-60



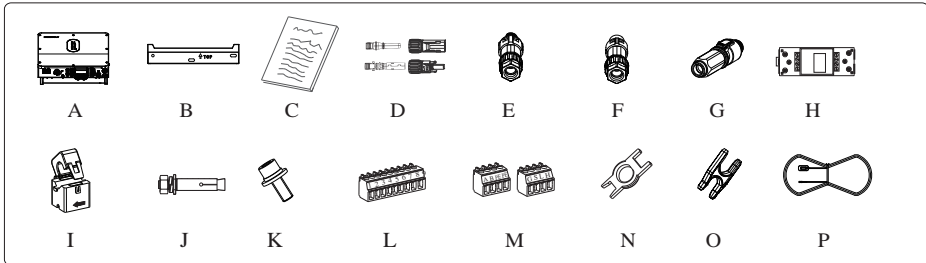
PV 4K6AC



3 Installation

3.1 Packing List

After unpacking, please check the following packing list carefully for any damage or missing parts. If any damage or missing parts occurs, contact the supplier for help.

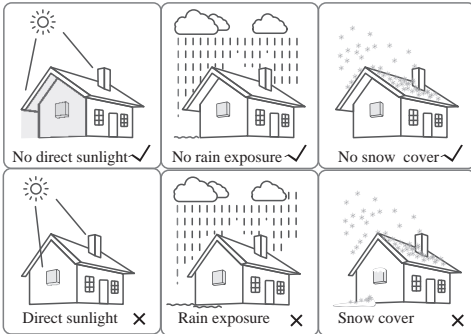


Number	Quantity	Description
A	1	Inverter
B	1	Mounting bracket
C	1	File package
D	2/2	PV terminal connector group (PV+/PV-); N/A for AC Couple
E	1	EPS connector
F	1	Grid connector
G	2	Battery connector
H	1	Meter (Optional)
I	1	CT
J	3	M12 Expansion screws
K	1	M6 Security screw
L	1	9-Pin terminal
M	2	4-Pin terminal
N	1	Removal tool for PV connector
O	1	Removal tool for Grid/EPS connector
P	1	Battery temperature sensor (Optional)

3.2 Selecting the Mounting Location

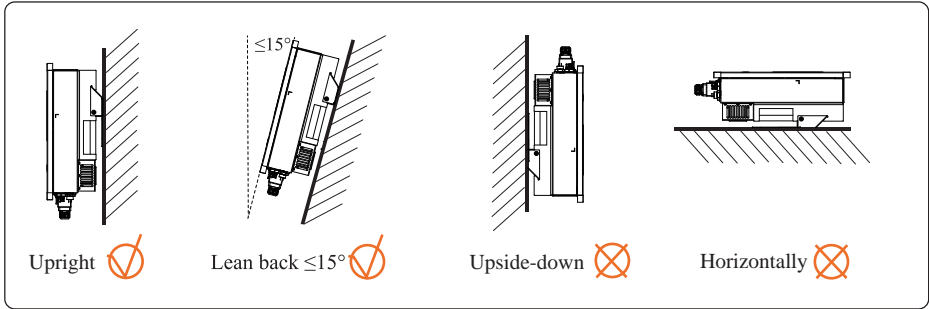
3.2.1 Installation Environment Requirements

- a. With an IP65 protection rating, the inverter can be mounted indoors or outdoors.
- b. The mounting location must be inaccessible to unrelated personnel since the enclosure and heat sinks are extremely hot during operation.
- c. Do not install the inverter in areas containing highly flammable materials or gases.
- d. To ensure optimum operation and long service life, the ambient temperature must be below 50°C.
- e. The inverter must be mounted in a well-ventilated environment to ensure good heat dissipation.
- f. To ensure long service life, the inverter must not be exposed to direct solar irradiation, rain, or snow. It is recommended that the inverter be mounted in a sheltered place.
- g. The carrier where the inverter is mounted must be fire-proof. Do not mount the inverter on flammable building materials.
- h. Do not install the inverter in a rest area since it will cause noise during operation.
- i. The installation height should be reasonable, and please make sure it is easy to operate and view the display.
- j. Product label and warning symbols shall be clear to read after installation.
- k. Please avoid direct sunlight, rain exposure, snow cover.



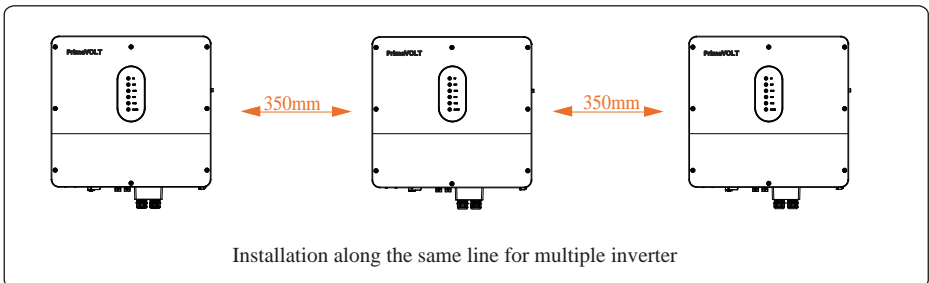
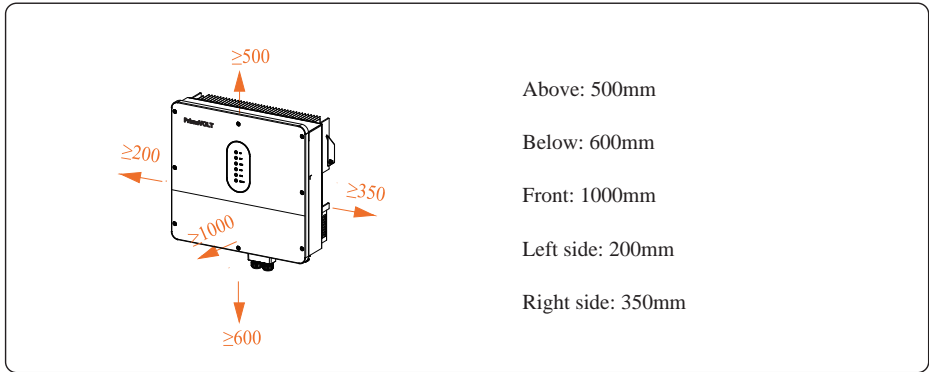
3.2.2 Mounting Requirements

Mount the inverter vertically or tilted backward by max 15°. The device can not be installed with a wrong mode and the connection area must point downward.



3.2.3 Installation Space Requirements

To ensure the inverter normally and easy to operate, there are requirements on available spaces of the inverter, e.g. to keep enough clearance. Refer to the following figures.

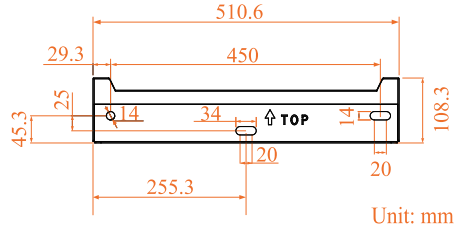


3.3 Mounting

Before mounting the inverter, you have to prepare expansion screws and a security screw.

Step 1. Install the mounting bracket

1. Use a level ruler to mark the position of the 3 holes on the wall. Refer to Figure a. And drill 3 holes, 16mm in diameter and 55mm in deep. Refer to Figure b.
2. Knock the expansion screw kit into the hole together with a hammer. Refer to Figure c.
Note: Do not remove the nut unit in this step.
3. After tightening 2-3 buckles, the expansion bolts are tight and not loose, and then unscrew the bolts, spring washer, gasket. Refer to Figure c.
4. Install and fix the mounting bracket on the wall. Refer to Figure d.



Step 2. Install the inverter on the mounting bracket. Then lock the inverter using the security screw. Refer to Figure e and Figure f.

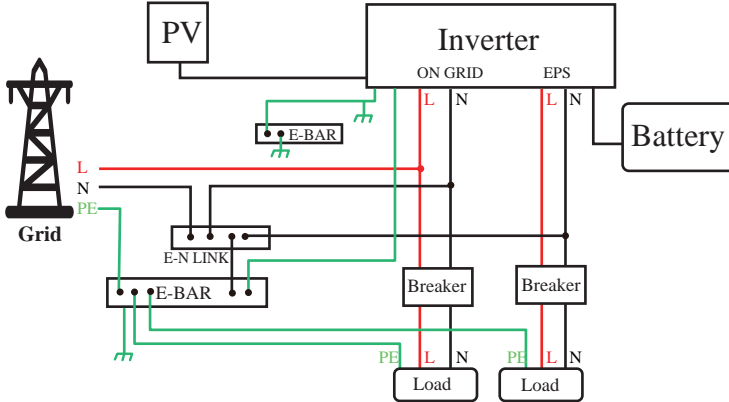
<p>Set bracket horizontally.</p> <p>a Mark the holes position on the wall.</p>	<p>Ø: 16mm; Depth: 55mm</p> <p>b Drill the holes.</p>	<p>Expansion screw group (M12; 3 suites)</p> <p>c</p>
<p>C & D & E</p> <p>M12 C 26N·m</p> <p>d</p>	<p>e</p>	<p>M6 Security screw; 2.5N·m</p> <p>f</p>

<p>DANGER</p>	<p>Before filling the hole on the wall, ensure no damage on the electric wire and/or water pipe inside the wall.</p>
----------------------	--

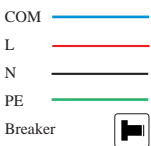
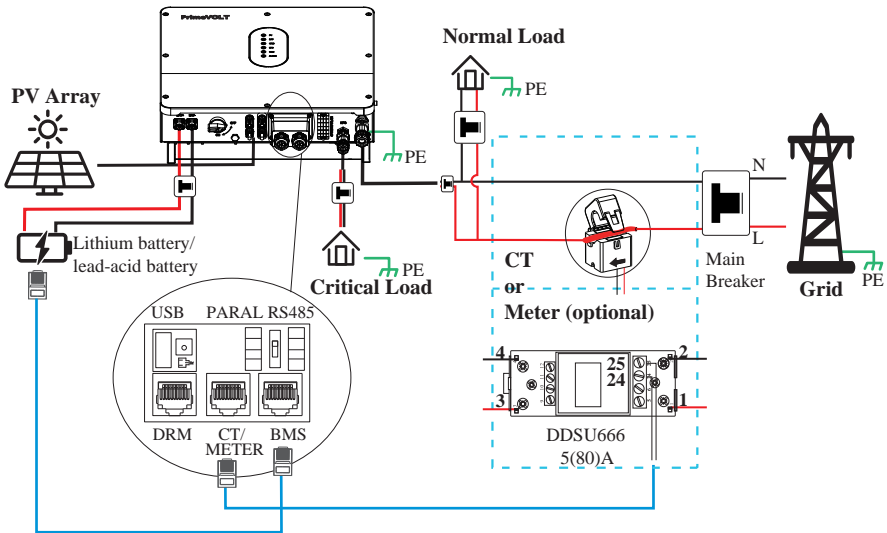
<p>CAUTION</p>	<p>To prevent potential damages and injuries from inverter falling down, please hang the inverter on the bracket, do not loosen grip unless confirm the inverter is well mounted.</p>
-----------------------	---

4 Electrical Connection

In Australia and New Zealand area, the neutral of the EPS port and the neutral of the GRID port need to be connected to the neutral bar at the mains switchboard.



Non-parallel connection mode:

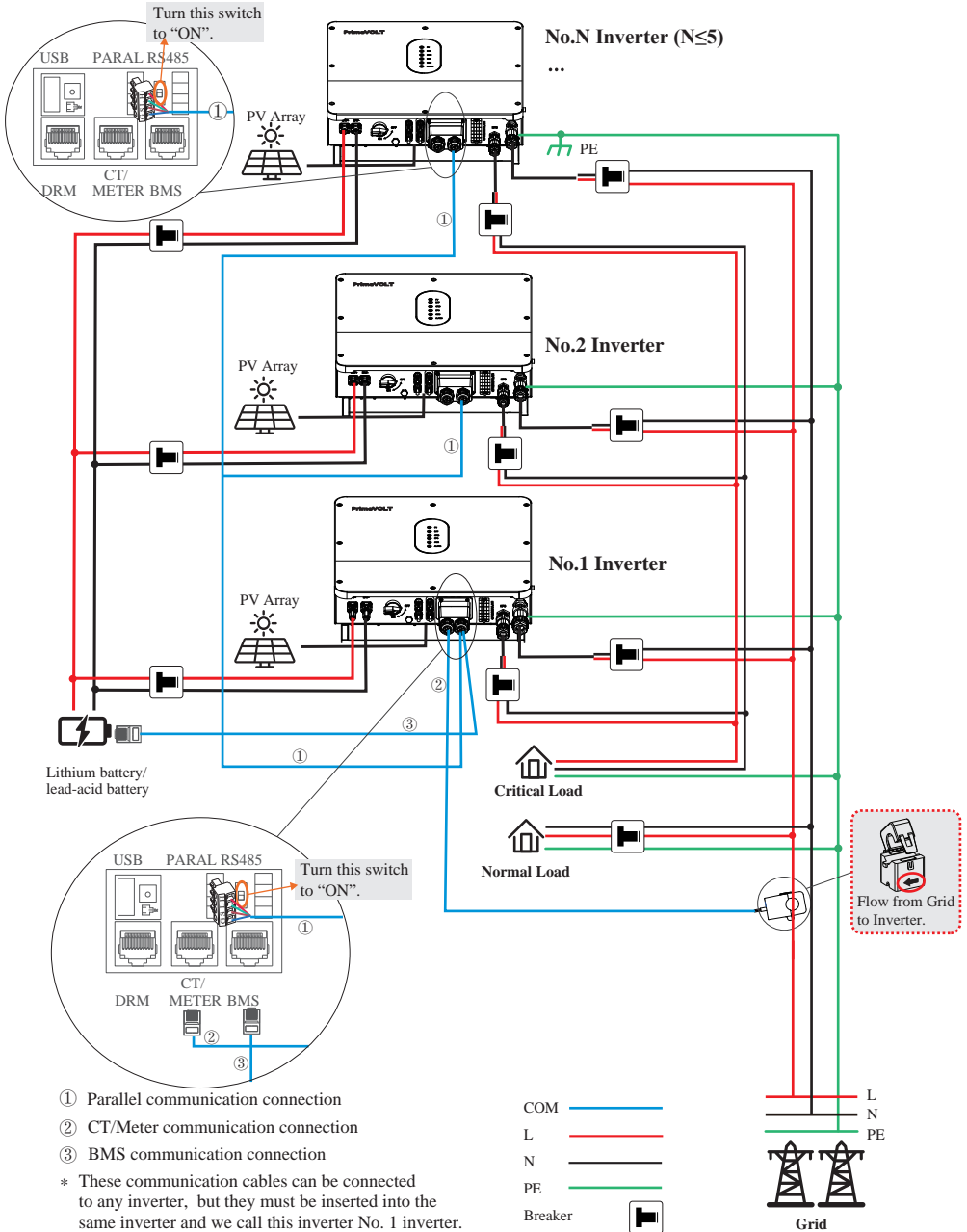


- Note: 1. PV related contents are N/A for AC Couple inverter.
 2. BMS communication connection is only for lithium battery.
 3. About breakers: DC breaker on BATTERY side: 150A
 AC breaker on Critical load side $\geq 50A$
 AC breaker on Inverter side $\geq 50A$

DANGER

Ensure that inverter and all cables to be installed are completely powered off during whole installation and connection. Otherwise, fatal injury can occur due to the high voltage.

Single phase parallel connection mode-Scheme A (N≤5)



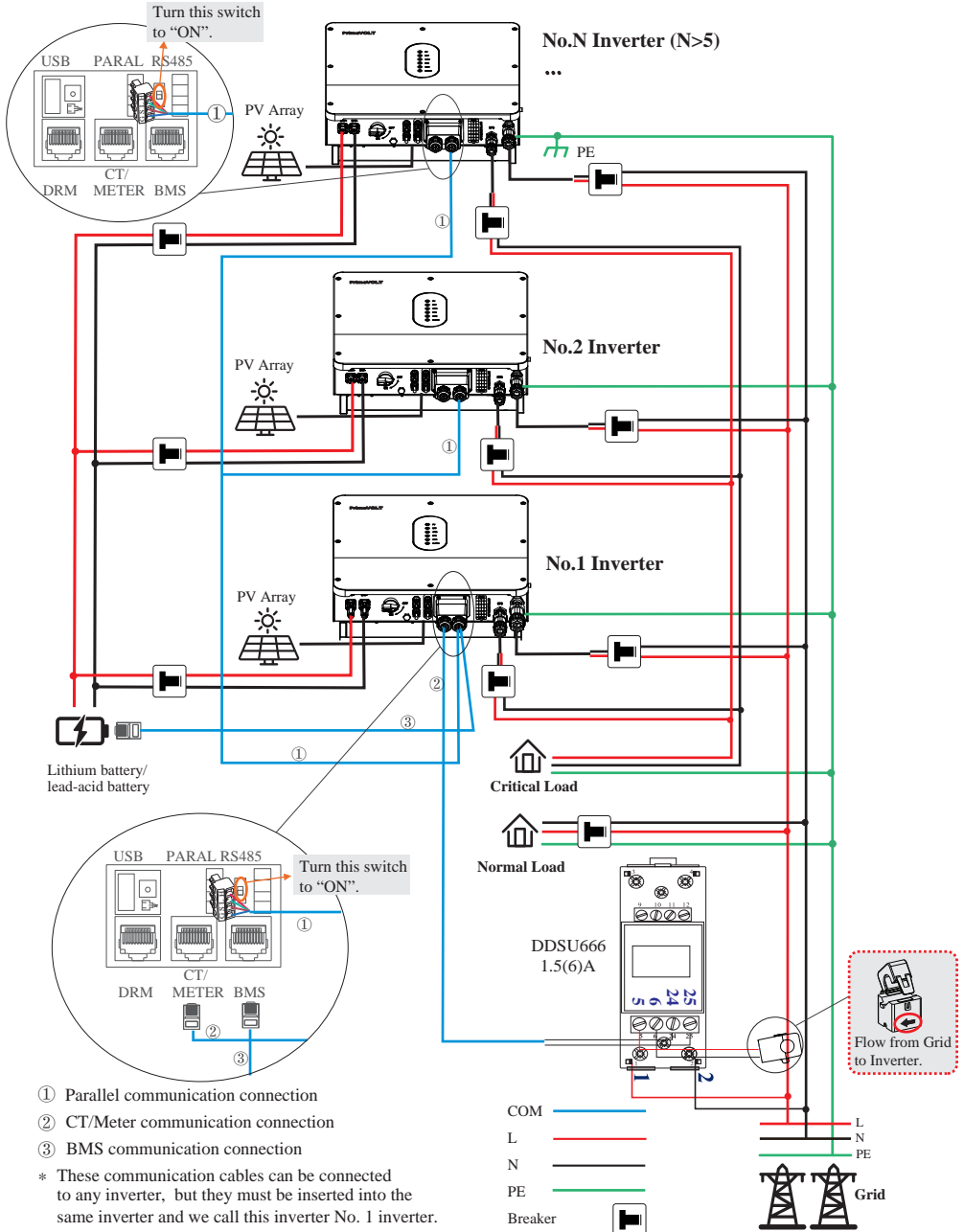
Note for Scheme A:

1. PV related contents are N/A for AC Couple inverter.
2. BMS communication connection is only for lithium battery.
3. It is necessary to turn the matched resistance switch of No. 1 inverter and No. N inverter to “ON” in parallel connection mode.
4. With parallel connection mode, it is necessary to connect APP to one of inverters and then go to [Console > Other Setting](#) page to enable [Parallel mode](#) on APP. Please refer to Section 7.2.3.
5. About breakers:
DC breaker on BATTERY side: 150A
AC breaker on Critical load side $\geq 50A$
AC breaker on Inverter side $\geq 50A$

**DANGER**

Ensure that inverter and all cables to be installed are completely powered off during whole installation and connection. Otherwise, fatal injury can occur due to the high voltage.

Single phase parallel connection mode-Scheme B (N>5)



Note for Scheme B:

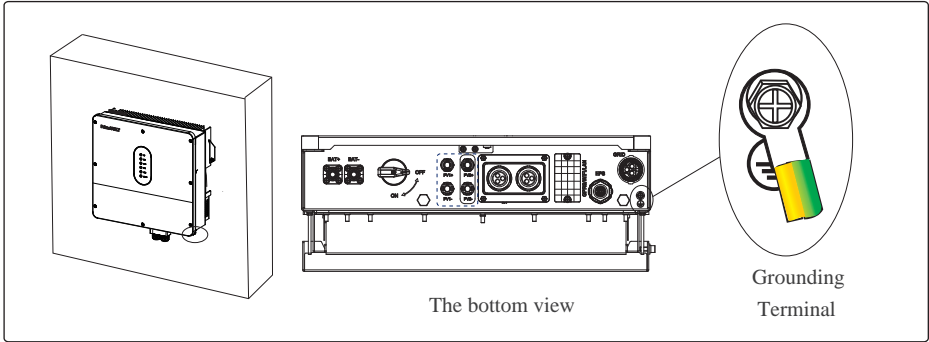
1. PV related contents are N/A for AC Couple inverter.
2. BMS communication connection is only for lithium battery.
3. It is necessary to additionally purchase suitable CT and meter according to the specific requirements in parallel connection mode-Scheme B.
4. It is necessary to turn the matched resistance switch of No. 1 inverter and No. N inverter to “ON” in parallel connection mode.
5. With parallel connection mode, it is necessary to connect APP to one of inverters and then go to [Console > Other Setting](#) page to enable [Parallel mode](#) on APP. Please refer to Section 7.2.3.
6. About breakers:
DC breaker on BATTERY side: 150A
AC breaker on Critical load side $\geq 50A$
AC breaker on Inverter side $\geq 50A$

**DANGER**

Ensure that inverter and all cables to be installed are completely powered off during whole installation and connection. Otherwise, fatal injury can occur due to the high voltage.

4.1 Grounding

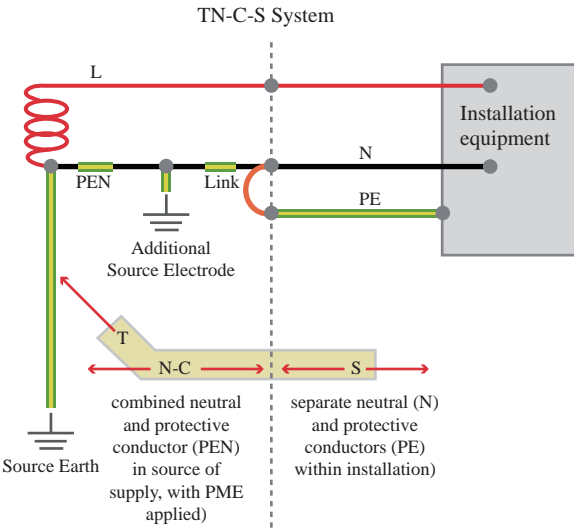
A protective earth (PE) terminal is equipped at the side of the inverter. Please be sure to connect this PE terminal to the PE bar for reliable grounding. AWG 10 or 12 yellow green lines are recommended.



	WARNING	The inverter must be grounded; otherwise, there may be electric shock risk.
--	----------------	---

	CAUTION	If the positive pole or negative pole of the PV array is required to be grounded, then the inverter output (to AC grid) must be isolated by transformer in accordance with IEC62109-1, -2 standards.
--	----------------	--

Notes: Australia uses the TN-C-S earthing system which requires the neutral to be connected/bonded to the earth to create a MEN (Multiple Earth Neutral) system:

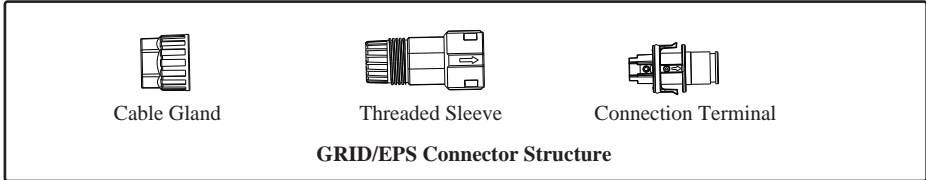


4.2 GRID/EPS Connection

Before connecting the GRID/EPS terminal, ensure that both the AC terminal and the DC terminal are powered OFF and the PV switch is OFF. Otherwise there is a risk of high voltage shock.

Grid/EPS connection please refer to below.

Step 1: Assemble the AC connector and then insert AC connector into GRID/EPS port..



It is recommended to use outdoor dedicated cables with multiple copper cores.

A. Diameter	14 ~ 20/10~14mm
B. Cross Section	8~14/4~6mm ²
C. Strip Length	~10mm

2

3

Tighten three screws and ensure each screw cap does not exceed the surface.

①
②
③

Tighten nut to avoid loosening.

4

Click

Step 2: Connect the AC breaker.

An AC breaker should be installed between inverter and the GRID/EPS.

- a. Before connecting the AC cable from inverter to AC breaker, you should confirm the AC breaker is working normally. Turn off the AC breaker and keep it open.
- b. Connect the PE conductor to grounding electrode, and connect the N and L conductors to AC breaker.
- c. Connect the AC breakers to the GRID/EPS grid.

<p>NOTICE</p>	<ul style="list-style-type: none"> Multiple inverters are not allowed to share a circuit breaker. Load is not allowed to connect between the grid and the AC breaker.
----------------------	---

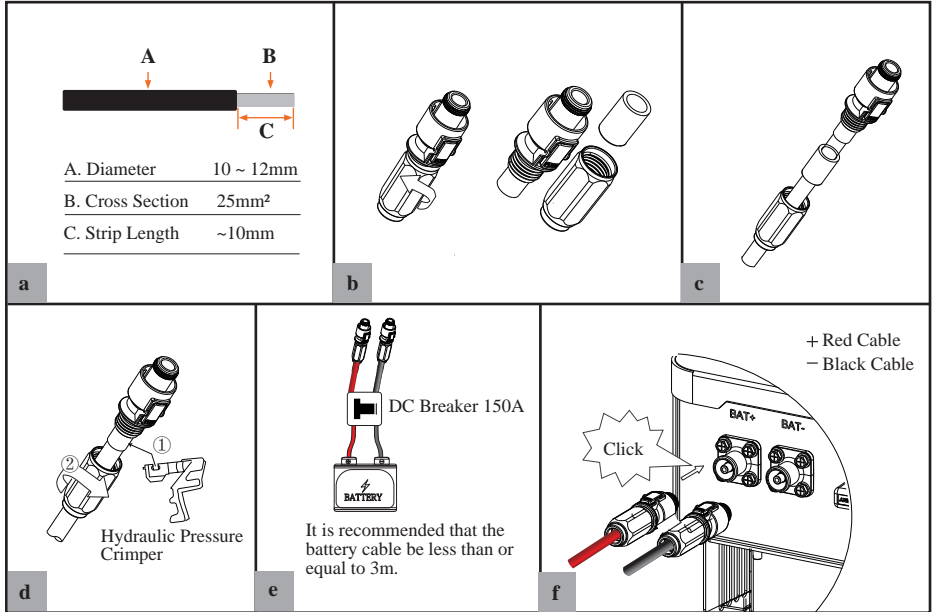
To ensure that the inverter can be safely and reliably disconnected from the grid, an AC breaker (≥50A) should be installed only for inverter GRID/EPS port.

4.3 Battery Connection

ESS inverter now only supports the lithium/lead-acid battery. The recommended lithium battery brands are as follows: PYLON LPF, Aoboet LPF, Dyness LPF, UZENERGY L051100-A.

This part only describes the battery connection on inverter side. If you need more detailed connection information about the battery side, please refer to the manual of the battery you used.

Before connecting to battery, please install a separate DC breaker (150A; not equipped) between inverter and battery. This ensure the inverter can be security disconnected during maintenance.

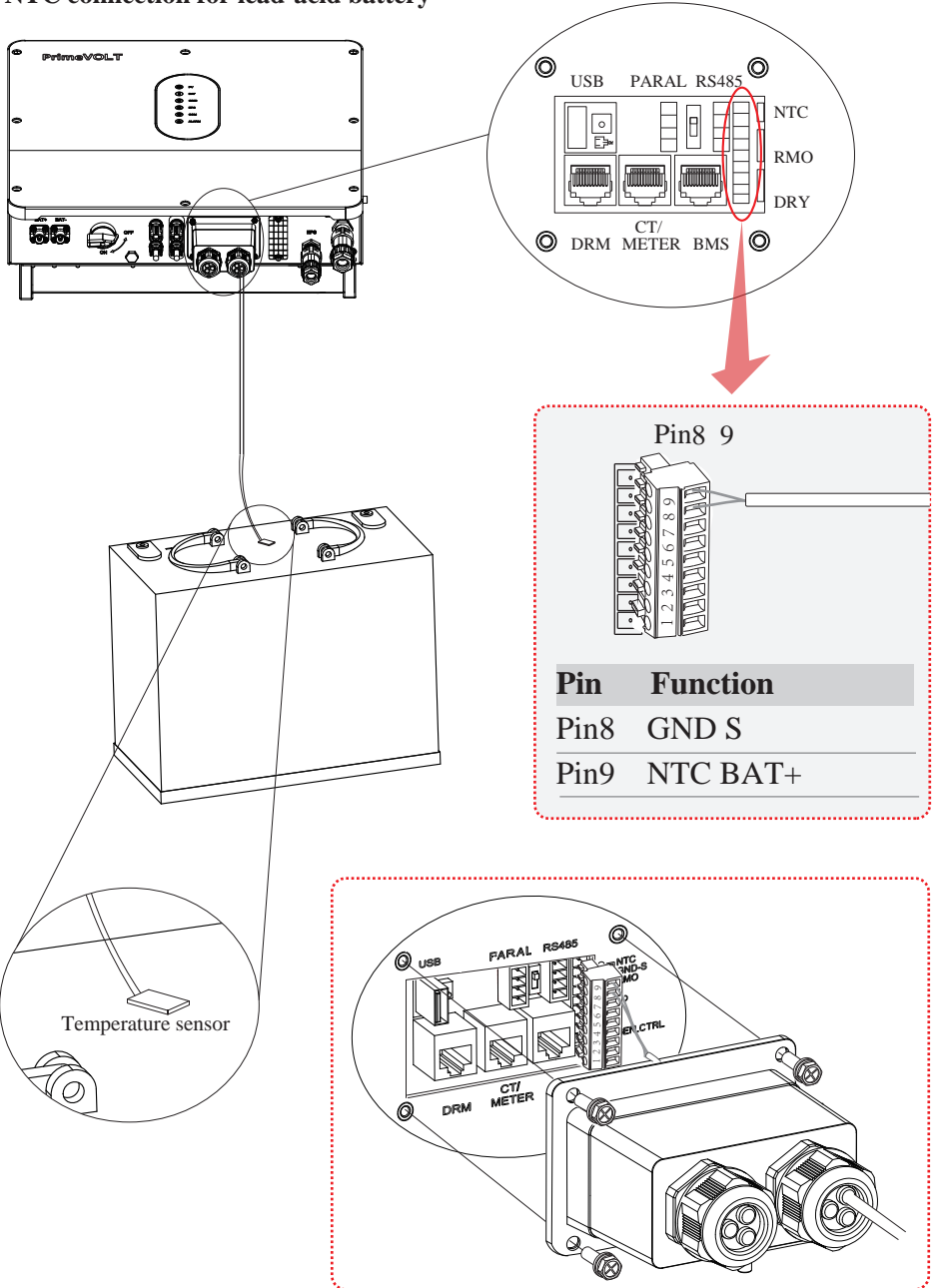


	WARNING	<ul style="list-style-type: none">• Polarity reverse will damage the inverter!• Be careful of electric shock and chemical hazards!• To reduce risk of injury, please use the suitable recommended cable size.
--	----------------	---

Battery Communication Connection

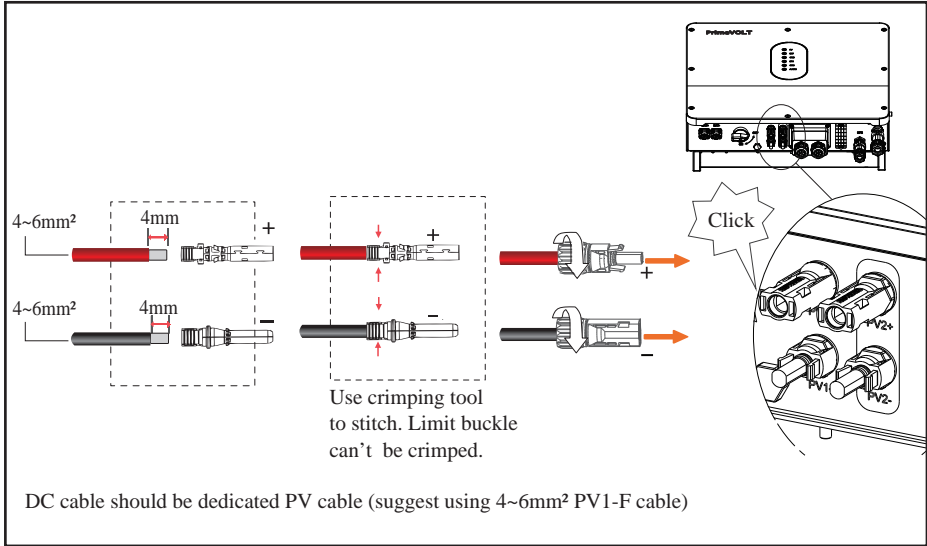
If the battery type is lithium battery which need communication between the inverter and battery management system (BMS), the connection cable must be installed. Please refer to section 4.6.1 for details.

NTC connection for lead-acid battery



4.4 PV Connection (N/A for AC Couple Inverter)

PV connection please refer to below.



NOTICE

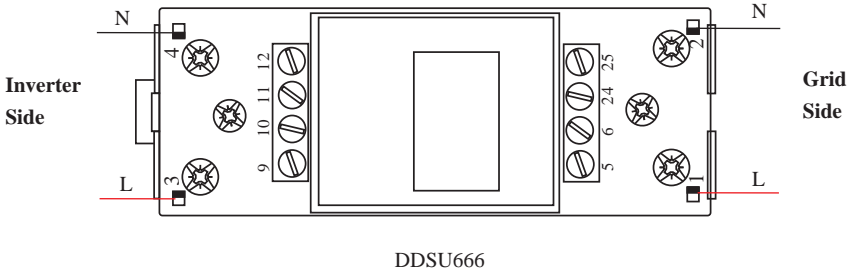
- Before connection the PV panels, make sure the plug connector has the correct polarity. Incorrect polarity could permanently damage the inverter.
- PV array shouldn't be connected to the grounding conductor.
- The minimum insulation resistance to ground of the PV panels must exceed 18.33kΩ, there is a risk of shock hazard if the requirement of minimum resistance is not met.

4.5 Meter/CT Connection

You can monitor usage with a meter or a CT. You can monitor the working status and running data of the inverter in the APP

4.5.1 Meter Connection

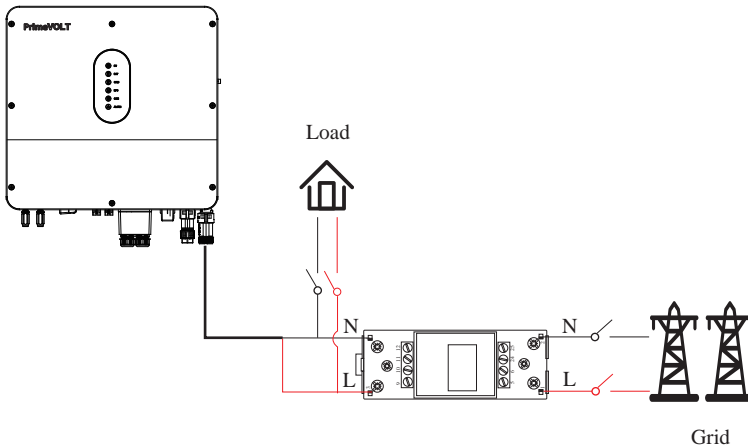
This section is applicable to non-parallel connection mode only. ESS inverter supports the meter CHINT-DDSU666 meter by default. The meter is optional.



DDSU666

Before connecting to Grid, please install a separate AC breaker (not equipped) between meter and Grid. This ensure the inverter can be security disconnected during maintenance.

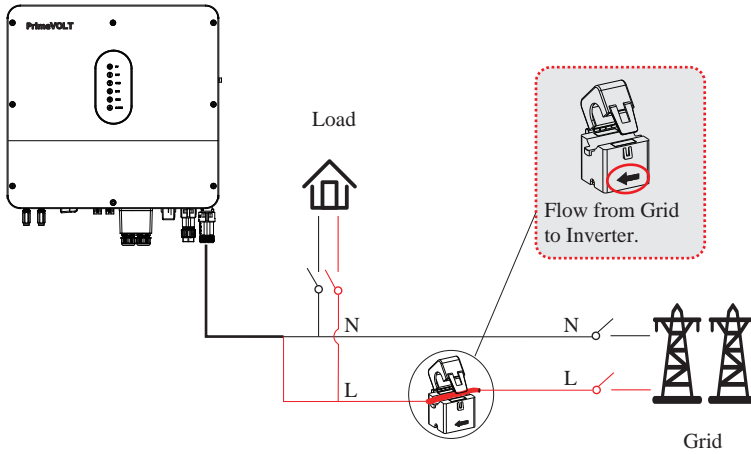
The connection diagram of power cable of meter is as shown in the figure below:




4.5.2 CT Connection

Before connecting to Grid, please install a separate AC breaker (not equipped) between CT and Grid. This ensure the inverter can be security disconnected during maintenance.

The connection diagram of power cable of CT is as shown in the figure below:

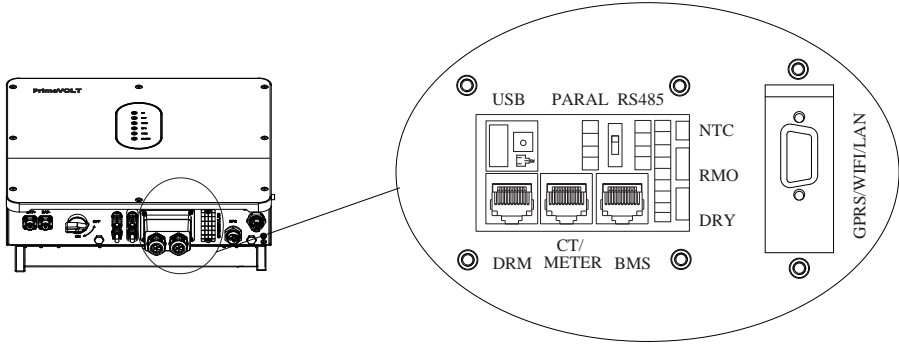


Please attention to the Current transformer (CT) connection. The arrow on the CT indicates the current flow from grid to inverter. And lead the live line through the detection hole of CT.

 <p>NOTE</p>	<p>The current direction from grid to inverter is defined as positive and current direction from inverter to grid is defined as negative.</p>
--	---

4.6 Communication Connection

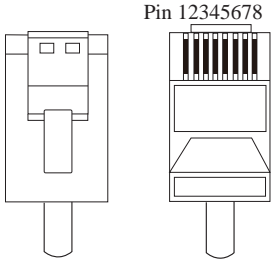
There are communication interfaces in the communication port on the bottom of the inverter as show below:



Interface		Descriptions
USB		For fast firmware upgrade.
PARAL		4-Pin interface for parallel communication
		A matched resistance switch for parallel communication
RS485		4-Pin interface for RS485 communication
DRM		Demand response mode for Australia application
CT/METER		For Meter communication or Grid current sensor.
BMS		Lithium battery communication interface
9-Pin	NTC	Temperature sensor terminal of lead-acid battery
	RMO	Remote off control
	DRY	DO control
GPRS/WIFI/LAN		For GPRS/WIFI/LAN communication.

4.6.1 BMS Communication Connection (Only for Lithium Battery)

RJ45 Terminal Configuration of Battery Communication (BMS)



PIN	1	2	3	4
Function Description	RS485_A	RS485_B	GND_S	GND_S
PIN	5	6	7	8
Function Description	GND_S	GND_S	CAN_L	CAN_H

This manual describes the cable sequence of the inverter. For details about the cable sequence of the battery, see the manual of the battery you used.

Refer to the following steps:

a Unscrew the waterproof cover and loosen the rubber nut on waterproof cover.

c

- ① Insert RJ45 terminal into corresponding port.
- ② Screw the waterproof cover back to inverter firmly with 4 x M4 screws (1.2N·m).
- ③ Install the seal into the threaded sleeve, fasten the rubber nut.

b Make the RJ45 terminal according to above function description of each Pin definition. Lead the BMS cable through the rubber nut, seal and waterproof cover in turn.

Don't cut off any communication cables.

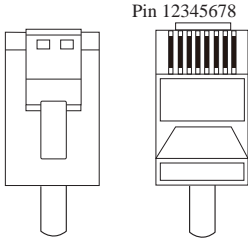
Press the BMS cable in the seal via the side incisions.

4.6.2 DRMs Communication Connection

DRMs is a shortened form for “inverter demand response modes”. It is a compulsory requirements for inverters in Australia.

Note: With DRMs connection, it is necessary to connect APP to inverter and then go to [Console > Other Setting](#) page to enable [DRM function](#) on APP. Please refer to Section 7.2.3.

RJ45 Terminal Configuration of DRMs



PIN	1	2	3	4
Function Description	DRM1/5	DRM2/6	DRM3/7	DRM4/8
PIN	5	6	7	8
Function Description	REF	DRM 0/COM	NC	NC

Refer to the following steps:

a Unscrew the waterproof cover and loosen the rubber nut on waterproof cover.

c

- ① Insert RJ45 terminal into corresponding port.
- ② Screw the waterproof cover back to inverter firmly with 4 x M4 screws(1.2N·m).
- ③ Install the seal into the threaded sleeve, fasten the rubber nut.

b Make the RJ45 terminal according to above function description of each Pin definition. Lead the BMS cable through the rubber nut, seal and waterproof cover in turn.

DRMs Control Module

DRMs cable

Threaded sleeve

Rubber nut

Seal

Waterproof cover

RJ45 terminals

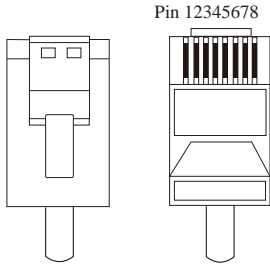
Inverter side

Don't cut off any communication cables.

Press the DRMs cable in the seal via the side incisions.

4.6.3 Meter/CT Communication Connection

RJ45 Terminal Configuration of Meter/CT Communication

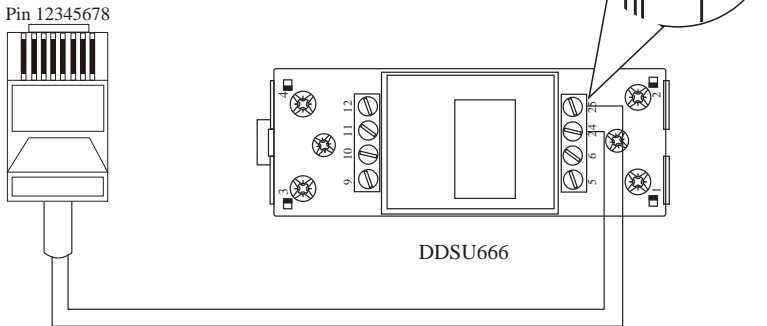


PIN	1	2	3	4	5	6	7	8
Function Description	RS485_A	RS485_B	RS485_A	RS485_B	CT-	CT+	NC	NC

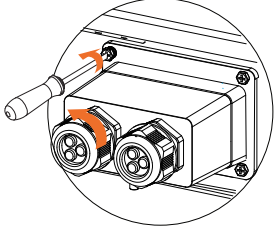
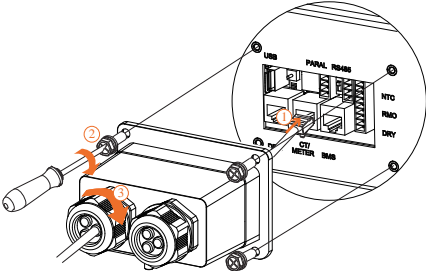
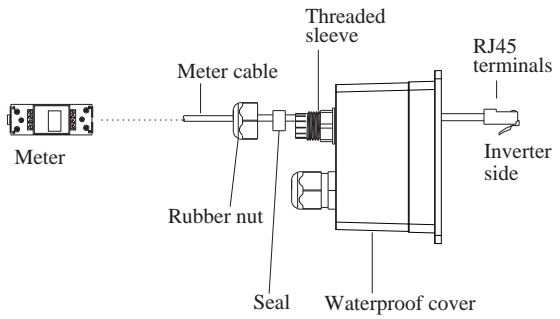
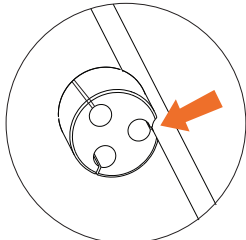
Meter Connection

Meter cable connection overview

Inverter	Meter
Pin1 or Pin3(RS485_A)	Pin24
Pin2 or Pin4(RS485_B)	Pin25



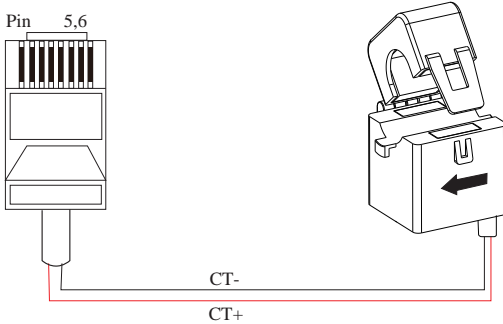
Connect meter. Refer to the following steps:

	 <ol style="list-style-type: none">① Insert RJ45 terminal into corresponding port.② Screw the waterproof cover back to inverter firmly with 4 x M4 screws(1.2N·m).③ Install the seal into the threaded sleeve, fasten the rubber nut.
<p>a Unscrew the waterproof cover and loosen the rubber nut on waterproof cover.</p>	<p>c</p>
<p>b Make the RJ45 terminal according to above function description of each Pin definition. Lead the BMS cable through the rubber nut, seal and waterproof cover in turn.</p>	
 <p>Don't cut off any communication cables.</p>  <p>Press the meter cable in the seal via the side incisions.</p>	

CT Connection

This section is applicable to non-parallel connection mode and parallel connection-scheme A only.

CT cable connection overview



Inverter	CT
Pin5(CT-)	Black
Pin6(CT+)	Red

Connect CT. Refer to the following steps:

a Unscrew the waterproof cover and loosen the rubber nut on waterproof cover.

b Make the RJ45 terminal according to above function description of each Pin definition. Lead the BMS cable through the rubber nut, seal and waterproof cover in turn.

c ① Insert RJ45 terminal into corresponding port.
 ② Screw the waterproof cover back to inverter firmly with 4 x M4 screws (1.2N·m).
 ③ Install the seal into the threaded sleeve, fasten the rubber nut.

CT cable, Threaded sleeve, Rubber nut, Seal, Waterproof cover, RJ45 terminals, Inverter side

! Don't cut off any communication cables.
 Press the CT cable in the seal via the side incisions.

4.6.4 RS485 Communication Connection

4-Pin Terminal Configuration of RS485 Communication



PIN	A	B	PE	PE
Function Description	RS485_A	RS485_B	PE	PE

Connect RS485. Refer to the following steps:

a Unscrew the waterproof cover and loosen the rubber nut on waterproof cover.

- ① Insert 4-Pin terminal into corresponding port.
- ② Screw the waterproof cover back to inverter firmly with 4 x M4 screws(1.2N·m).
- ③ Install the seal into the threaded sleeve, fasten the rubber nut.

b Make the 4-Pin terminal according to above function description of each Pin definition. Lead the RS485 cable through the rubber nut, seal and waterproof cover in turn.

RS485 Control Module

RS485 cable

Rubber nut

Seal

Threaded sleeve

Waterproof cover

4-Pin terminal

Inverter side

Don't cut off any communication cables.

Press the RS485 cable in the seal via the side incisions.

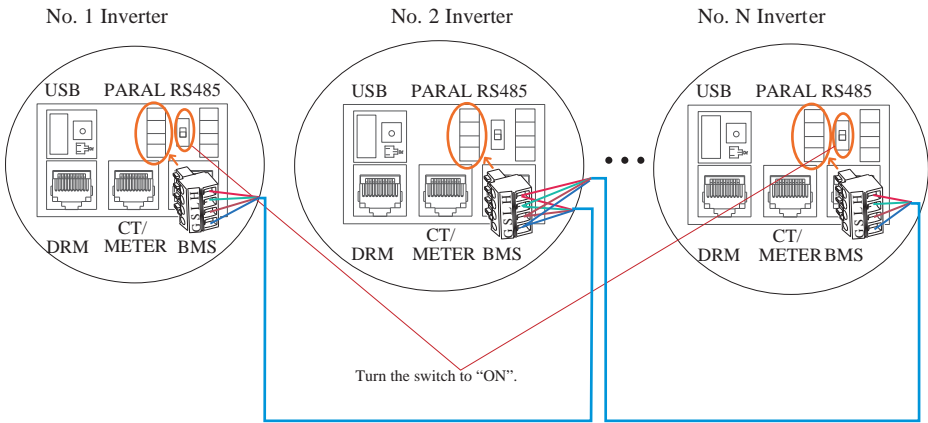
4.6.5 Parallel Communication Connection

4-Pin Terminal Configuration of parallel Communication



PIN	G	S	L	H
Function Description	GND_S	PARA_SYNC	CAN_L	CAN_H

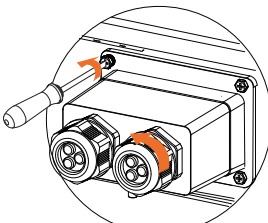
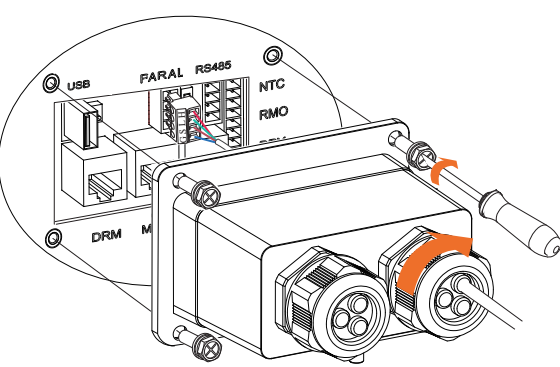
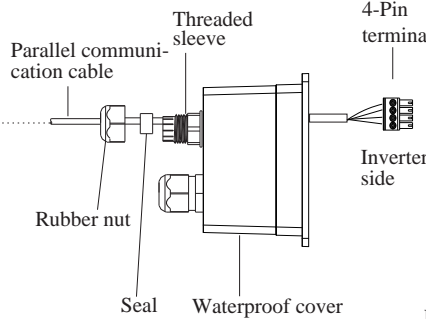

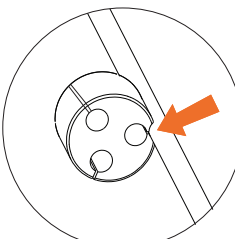
Parallel communication cable connection overview



It is necessary to turn the matched resistance switch of No. 1 inverter and No. N inverter to “ON” in parallel connection mode

No.1 Inverter	No.2 Inverter	No. N Inverter
PinH(CAN_H)	PinH(CAN_H)		PinH(CAN_H)
PinL(CAN_L)	PinL(CAN_L)		PinL(CAN_L)
PinS(PARA_SYNC)	PinS(PARA_SYNC)		PinS(PARA_SYNC)
PinG(GND_S)	PinG(GND_S)		PinG(GND_S)

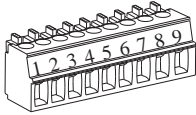
Refer to the following steps:

 <p>a Unscrew the waterproof cover and loosen the rubber nut on waterproof cover.</p>	 <ol style="list-style-type: none">① Insert 4-Pin terminal into corresponding port.② Screw the waterproof cover back to inverter firmly with 4 x M4 screws(1.2N·m).③ Install the seal into the threaded sleeve, fasten the rubber nut.
<p>b Make the 4-Pin terminal according to above function description of each Pin definition. Lead the RS485 cable through the rubber nut, seal and waterproof cover in turn.</p>	
 <p>Another inverter side</p> <p>Parallel communication cable</p> <p>Rubber nut</p> <p>Seal</p> <p>Threaded sleeve</p> <p>Waterproof cover</p> <p>4-Pin terminal</p> <p>Inverter side</p> <p> Don't cut off any communication cables.</p>  <p>Press the Parallel communication cable in the seal via the side incisions.</p>	

4.6.6 NTC/RMO/DRY Communication Connection(s)

9-Pin Terminal Configuration of Auxiliary Communication

Pin 123456789



PIN	Function Description
1	NO1 (Normal Open)
2	N1
3	NC1 (Normal Close)
4	NC2 (Normal Close)
5	N2
6	NC2 (Normal Close)
7	REMO OFF
8	GND S
9	NTC BAT+

Refer to the following steps:

a

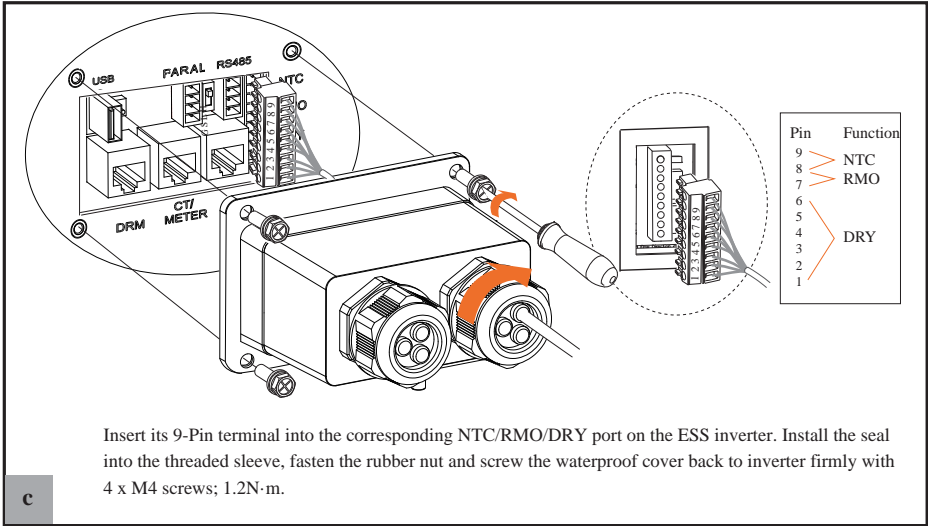
Unscrew the waterproof cover and loosen the rubber nut on waterproof cover.

b

Make the 9-Pin terminal according to above function description of each Pin definition for the auxiliary port you want to use. Lead the NTC/RMO/DRY cable(s) through the rubber nut, seal and waterproof cover in turn.

Don't cut off any communication cables.

Press the NTC/RMO/DRY cable(s) in the seal via the side incisions.



4.6.7 GPRS/WIFI/LAN Module Connection

For details, please refer to the corresponding Module Installation Guide in the packing.

5 System Operation

5.1 Inverter Working Mode

The inverter supports several different working modes.

5.1.1 Self Used Mode

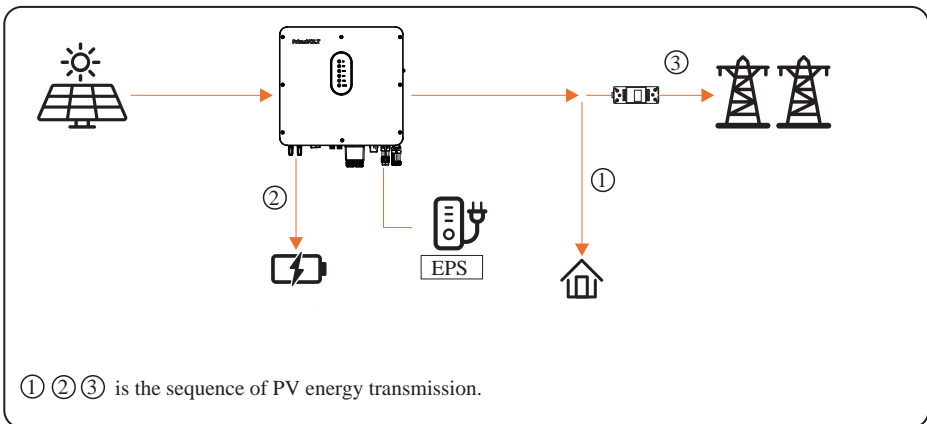
Go to the "Hybrid work mode" menu, and select the "Self used mode".

Under Self Used mode, the priority of PV energy consumption will be Load > Battery > Grid, that means the energy produced by PV gives priority to powering local loads, the excess energy is used to charge the battery and the remaining energy is fed into the grid.

This is the default mode to increase self-consumption rate. There are several situations of self-used working mode based on PV energy.

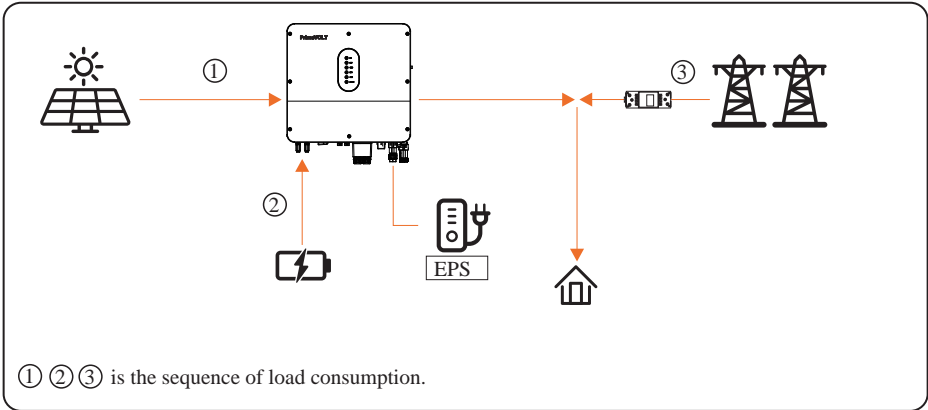
a) Wealthy PV Energy

When PV energy is wealthy, the PV energy will be first consumed by loads, the excess energy will be used to charge the battery and then the remaining energy will be fed into the grid.



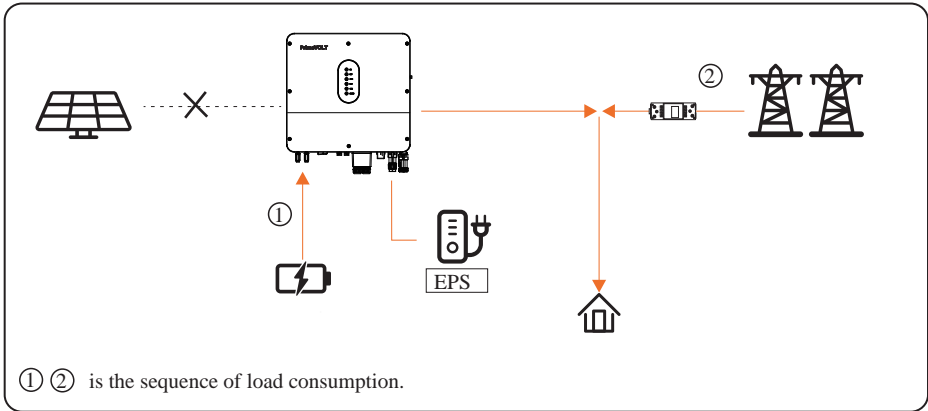
b) Limited PV power

When the PV energy is not enough to cover all consumption, the PV energy will be entirely used by loads, and the insufficient part will be supplied by battery. Then still insufficient parts will be supplied by grid.



c) No PV Input

The inverter will first discharge the battery energy for home load consuming when no PV input (such as in the evening or some cloudy or rainy days). If the demand is not met, the loads will consume grid energy.

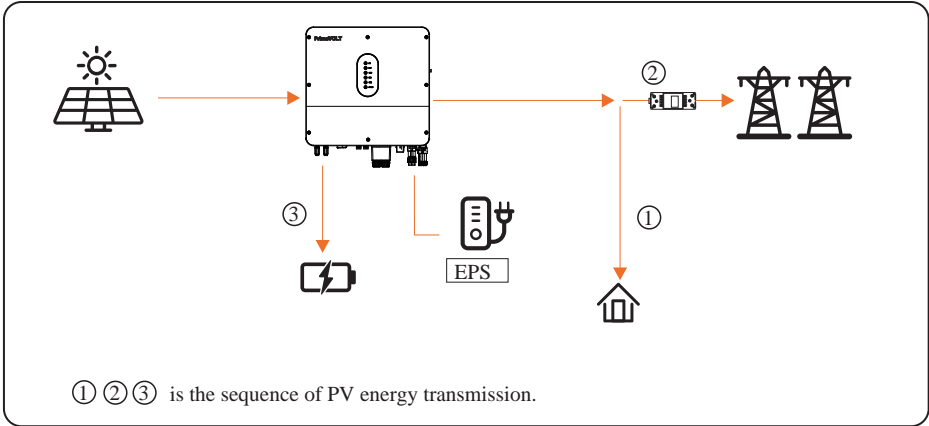


5.1.2 Feed-in Priority Mode

Go to the "Hybrid work mode" menu, and select the "Feed-in priority mode". Under this mode, the priority of PV energy consumption will be Load > Grid > Battery, that means the energy produced by PV gives priority to powering local loads, the excess energy is fed into the grid, and the remaining energy is used to charge the battery.

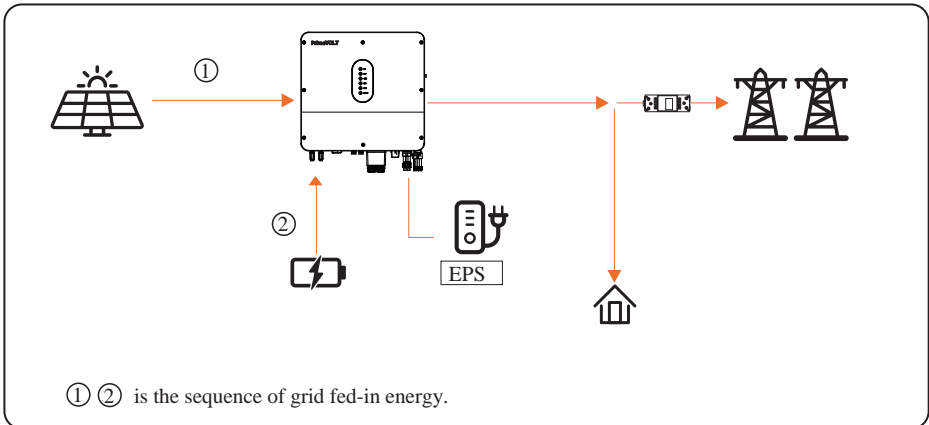
a) Wealthy PV Energy

When PV energy is wealthy, the PV energy will be first consumed by loads. If there is excess PV power, the power will be fed into grid. If there is still PV energy left after load consuming and grid feeding, then the remaining PV power will be used to charge the battery.



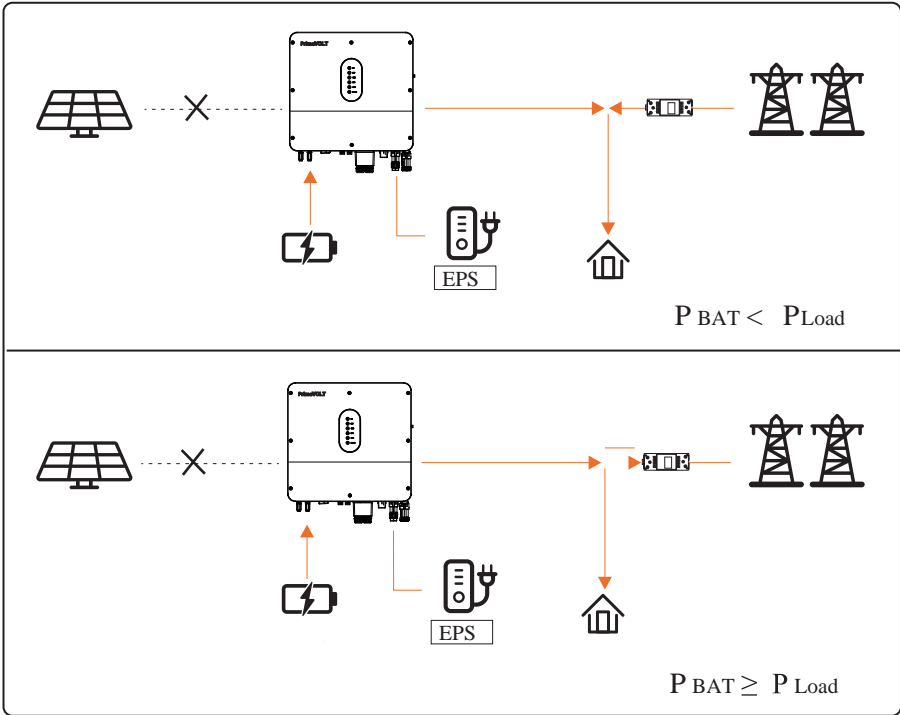
b) Limited PV Energy

When PV energy is limited and can not meet the feed-in grid power, the battery will discharge to meet it.



c) No PV Input

The inverter will first discharge the battery energy for home load consuming when no PV input (such as in the evening or some cloudy or rainy days). If the demand is not met, the loads will consume the grid energy.



5.1.3 Time-Based Control Mode

Go to the "Hybrid work mode" menu, and select the "Time-based Control".

Under this mode, you can control the charging and discharging of the inverter. You can set the following parameters based on your requirements:

- Charge and discharge frequency: one time or daily
- Charging start time: 0 to 24 hours
- Charging end time: 0 to 24 hours
- Discharge start time: 0 to 24 hours
- Discharge end time: 0 to 24 hours

You can also choose whether to allow the grid to charge the battery, which is prohibited by default. If the user enables the "Grid charge function", the "Maximum grid charger power" and "Capacity of grid charger end" can be set. When the battery capacity reaches the set value, the grid will stop charging the battery.

5.1.4 Back-up Mode

Go to the "Hybrid work mode" menu, and select the "Back-up Mode".

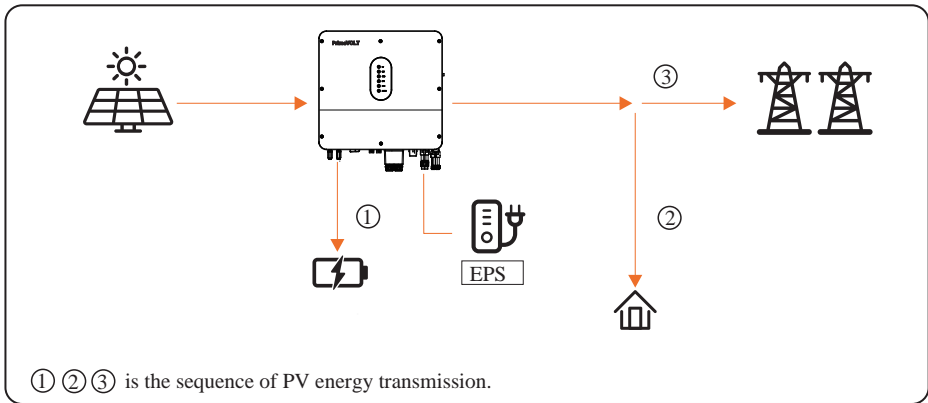
Under this mode, the priority of PV energy consumption will be Battery > Load > Grid. This mode aims at charging the battery quickly, and at the same time, you can choose whether to allow AC to charge the battery.

Forbid AC charging

In this mode, the battery can be charged only with PV power, and the charging power varies with PV power.

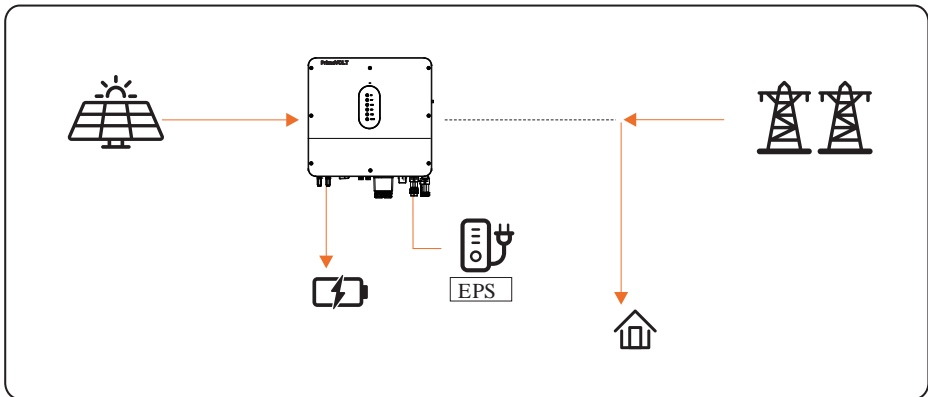
a) Wealthy PV power

When PV energy is wealthy, PV charges the battery first, then meets the load, and the rest is fed into the grid.



b) Limited PV power

When PV energy is limited, PV gives priority to charging the battery, and the grid directly meet the load demand.

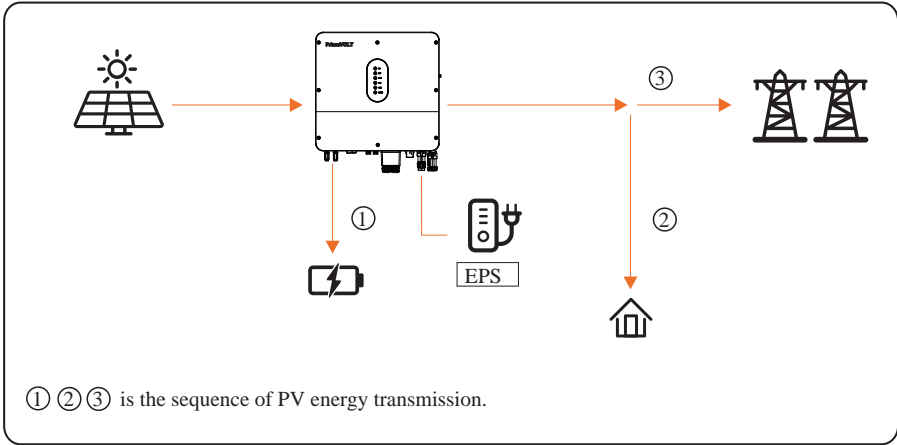


Allow AC charging

In this situation, the battery can be charged both with PV and AC.

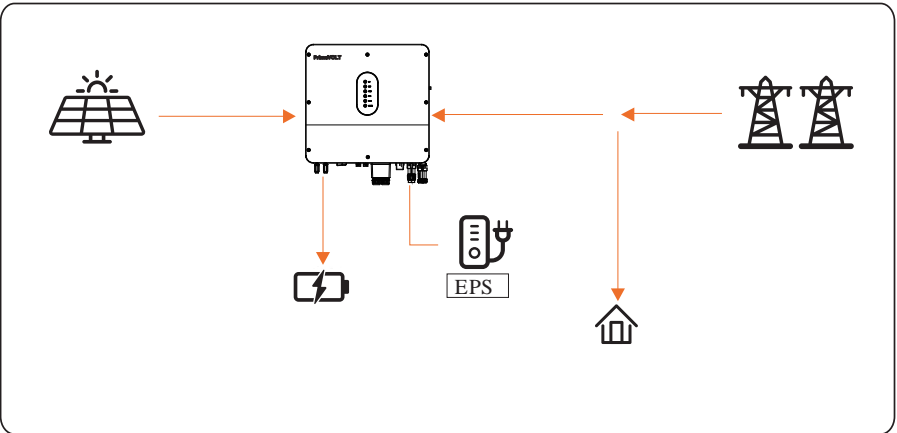
a) Wealthy PV power

When PV energy is wealthy, PV charges the battery first, then meets the loads, and the rest is fed into the grid.



b) Limited PV power

When the PV energy is not enough to charge the battery, the grid energy will charge the battery as supplement. Meanwhile, the grid energy is consumed by loads.



5.1.5 Off Grid Mode

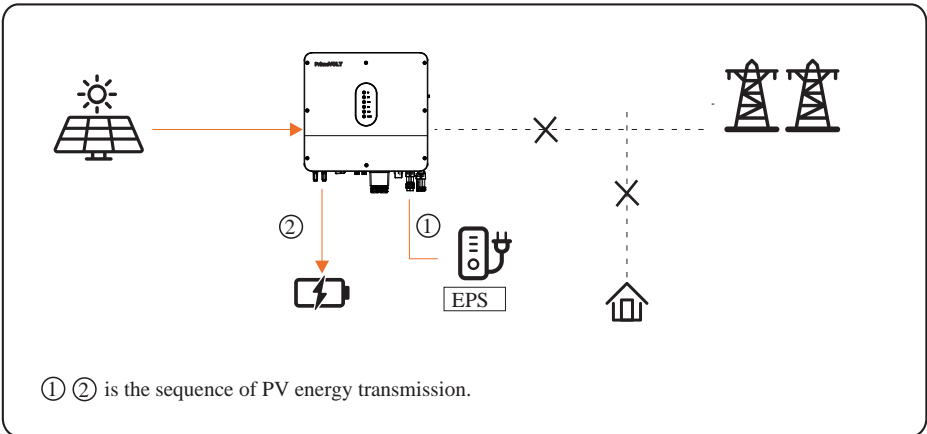
When the power grid is cut off, the system automatically switches to Off Grid mode.

Under off-grid mode, only critical loads are supplied to ensure that important loads continue to work without power failure.

Under this mode, the inverter can't work without the battery.

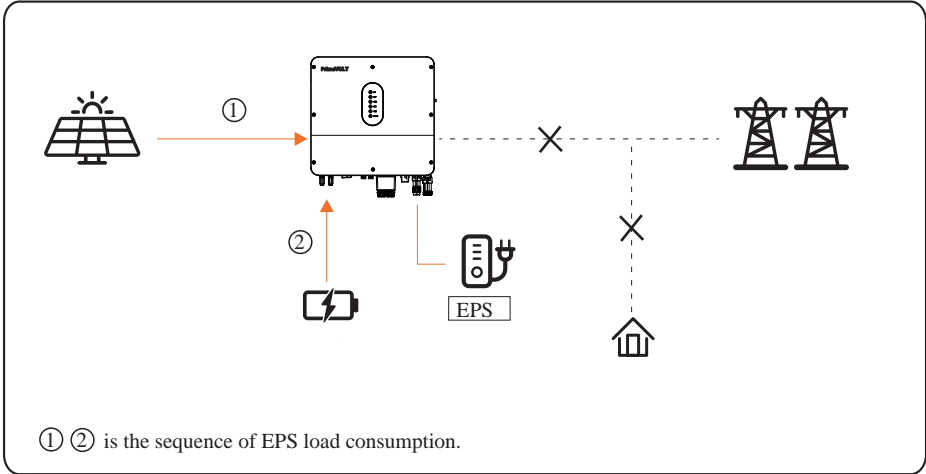
a) Wealthy PV power

When PV energy is wealthy, the PV power will be first consumed by critical load, then charge the battery.



b) Limited PV power

When PV energy is limited, EPS loads are first powered by PV and then supplemented by battery.



NOTICE

- Under this mode, please complete the output voltage and frequency settings.
- It is better to choose the battery capacity larger than 100Ah to ensure EPS function work normally.
- If EPS output loads are inductive or capacitive loads, to make sure the stability and reliability of system, it is recommended to configure the power of these loads to be within 50% EPS output power range.

5.2 Startup/Shutdown Procedure

5.2.1 Startup Procedure

Check and confirm the installation is secure and strong enough, and that the system is well grounded. Then confirm the connections of AC, battery, PV etc. are correct. Confirm the parameters and configurations conform to relevant requirements.

AC Frequency	50/60Hz	PV Voltage	90~530V
Battery Voltage	42~60V	Grid AC Voltage	180~270V

DC breaker on BATTERY side	150A
AC breaker on Critical load side	50A
AC breaker on Inverter side	50A

Make sure all the above aspects are right, then follow the procedure to start up the inverter:

- 1) Power on the PV isolation switch.
- 2) Power on the battery isolation switch.
- 3) Power on the AC.
- 4) Power on the EPS
- 5) Connect the cell phone App via Bluetooth. Please refer to Section 7.2 for details.
- 6) Click the Power ON in the App for the first time. Please refer to Section 7.2 for details.

5.2.2 Shutdown Procedure

According to actual situation, if there is a must to shut-down the running system, please follow below procedure:

- 1) Connect the cell phone App via Bluetooth. Please refer to Section 7.2 for details.
- 2) Click the Power OFF on the App. Please refer to Section 7.2 for details.
- 3) Power off the EPS.
- 4) Power off the AC.
- 5) Power off the Battery isolation switch.
- 6) Power off the PV isolation switch.

If you need to disconnect the inverter cables, please wait at least 5 minutes before touching these parts of inverter.

6 Commissioning

It is necessary to make a complete commissioning of the inverter system. This will essentially protect the system from fire, electric shock or other damages or injuries.

6.1 Inspection

Before commissioning, the operator or installer (qualified personnel) must inspect the system carefully and make sure:

- 1) The system is firmly installed correctly following the contents and notifications of this manual, and there are enough spaces for operation, maintenance and ventilation.
- 2) All the terminals and cables are in good status without any damages.
- 3) No items are left on the inverter or within the required clearance section.
- 4) The PV, battery pack is working normally, and grid is normal.

6.2 Commissioning Procedure

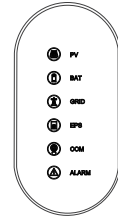
After the inspection and make sure status is right, then start the commissioning of the system.







- 1) Power on the system by referring to the Startup section 5.2.1.
- 2) Setting the parameters on the App according to user's requirement.
- 3) Finish commissioning.

7 User Interface

7.1 LED

This section describes the LED panel. LED indicator includes PV, BAT, GRID, EPS, COM, ALARM indicators. PV is N/A for AC couple. It includes the explanation of indicator states and summary of indicator states under the running state of the machine.



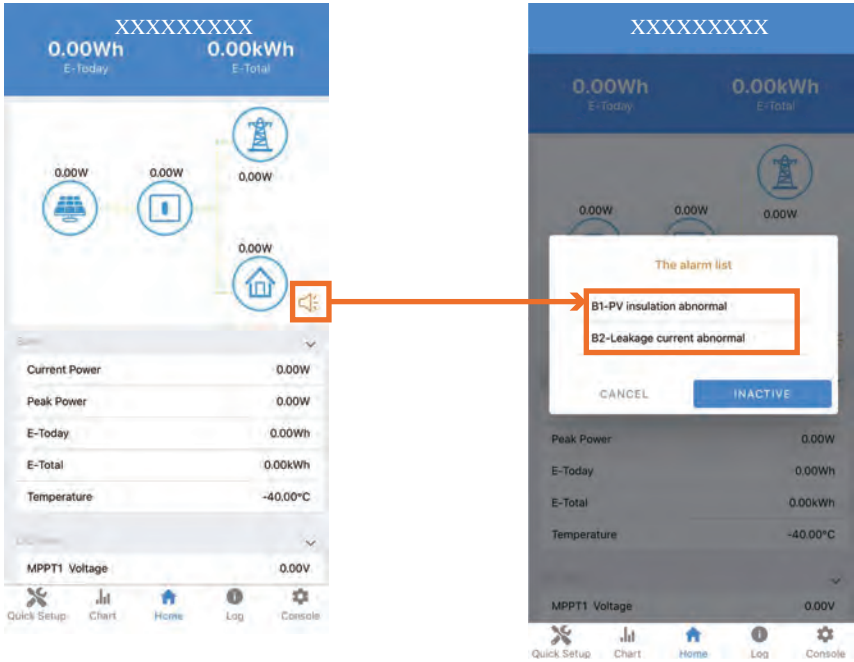
LED Indicator	Status	Description
 PV	On	PV input is normal.
	Blink	PV input is abnormal.
	Off	PV is unavailable.
 BAT	On	Battery is charging.
	Blink Slowly	Battery is discharging.
	Blink Quickly	Battery is abnormal.
	Off	Battery is unavailable.
 GRID	On	GRID is available and normal.
	Blink	GRID is available but abnormal.
	Off	GRID is unavailable.
 EPS	On	Communication is ok.
	Off	Power supply is unavailable.
 COM	On	EPS power is available.
	Blink	EPS output is abnormal.
	Off	EPS power is unavailable.
 ALARM (Red led)	On	Fault has occurred and inverter shuts down.
	Blink	Alarms has occurred but inverter doesn't shut down.
	Off	No fault.

Remark: ● Light on ○ Light off ◎ Keep original status ★ Blink 1s and off 1s
 ★★ Blink 2s and off 1s

Details	Code	PV LED	Grid LED	BAT LED	EPS LED	COM LED	ALARM LED
PV normal		●	◎	◎	◎	◎	○
No PV		○	◎	◎	◎	◎	○
PV over voltage	B0						
PV under voltage	B4						
PV irradiation weak	B5	★	◎	◎	◎	◎	○
PV string reverse	B7						
PV string abnormal	B3						
On grid		◎	●	◎	◎	◎	○
Grid over voltage	A0						
Grid under voltage	A1						
Grid absent	A2						
Grid over frequency	A3	◎	★	◎	◎	◎	○
Grid under frequency	A4						
Grid abnormal	A6						
Grid over mean voltage	A7						
Neutral live wire reversed	A8						
Battery in charger		◎	◎	●	◎	◎	○
Battery absent	D1	◎	◎	○	◎	◎	○
Battery in discharge		◎	◎	★★	◎	◎	○
Battery under voltage	D3						
Battery over voltage	D2						
Battery discharge over current	D4	◎	◎	★	◎	◎	○
Battery over temperature	D5						
Battery under temperature	D6						
Communication loss (Inverter-BMS)	D8						
EPS output active		◎	◎	◎	●	◎	◎
EPS output inactive		◎	◎	◎	○	◎	◎
EPS short circuit	DB						
EPS over load	DC						
EPS output voltage abnormal	D7	◎	◎	◎	★	◎	○
EPS over dc-bias voltage	CP						

Details	Code	PV LED	Grid LED	BAT LED	EPS LED	COM LED	ALARM LED
RS485/DB9/BLE/USB		☉	☉	☉	☉	●	☉
Inverter over temperature	C5						
Fan abnormal	C8						
Inverter in power limit state	CL						
Data logger lost	CH	☉	☉	☉	☉	☉	★
Meter lost	CJ						
Remote off	CN						
PV insulation abnormal (Earth Fault)	B1						
Leakage current abnormal (Earth Fault)	B2						
Internal power supply abnormal	C0						
Inverter over dc-bias current	C2						
Inverter relay abnormal	C3						
GFCI abnormal	C6						
System type error	C7						
Unbalance Dc-link voltage	C9						
Dc-link over voltage	CA	☉	☉	☉	☉	☉	●
Internal communication error	CB						
Internal communication loss(E-M)	D9						
Internal communication loss(M-D)	DA						
Software incompatibility	CC						
Internal storage error	CD						
Boost abnormal	CG						
Dc-dc abnormal	CU						

Error warning will be reported and displayed on APP as well, customers can connect to inverter and check warning details on APP.



7.2 SolarHope APP Guide

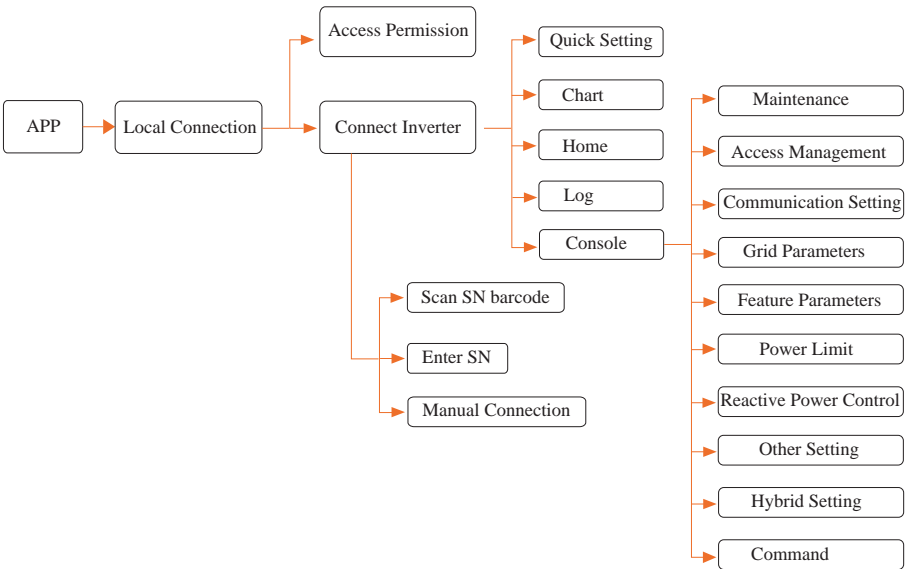
7.2.1 Download App

- Scan the QR code on the inverter to download the APP.
- Download APP from the App Store or Google Play.

The APP should access some permissions such as device’s location. You need to allow all permissions to be granted in all pop-up windows when installing the APP or in your own phone setting.

7.2.2 App Architecture

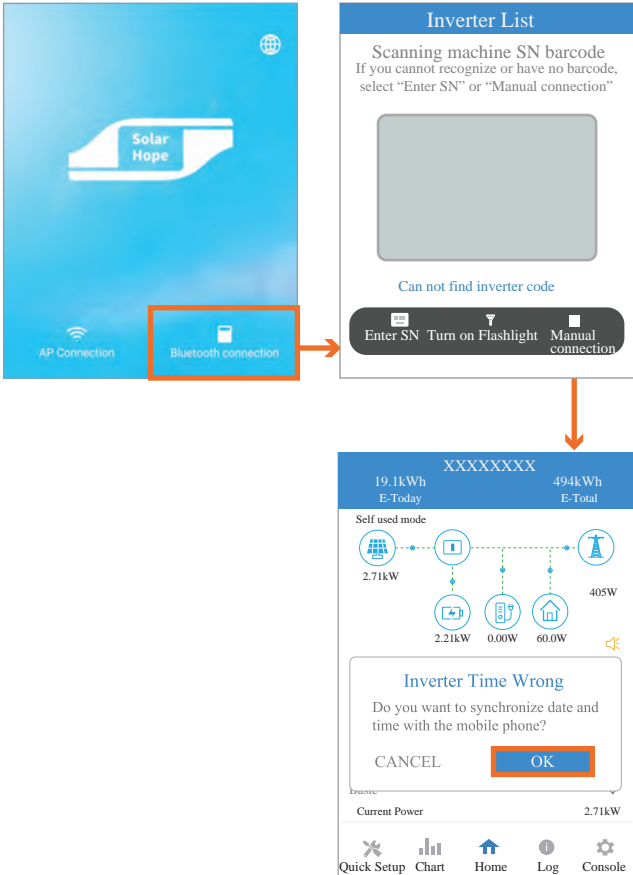
APP read data from inverter through Bluetooth connection with Modbus protocol to display and configure inverter parameter.



7.2.3 Local Setting

■ Connect to Inverter

Firstly, open the Bluetooth on your own phone, then open the APP. Press Local Setting to go to the connect page. This page shows the inverters which you can connect or you have connected. (As shown below) Press the inverter's name to connect it.



■ Generation Chart

The power chart is showed by Day, Month and Year in our APP. For each exhibition method, it includes both Production and Consumption. We use different icons and colors for different power messages. The icon and color definition as below:



Color: Blue

Definition: Load consumption only from PV



Color: Red

Definition: Battery charge power with PV or AC



Color: Red

Definition: Battery discharge power for load consumption or feed-in grid



Color: Purple

Definition: Consumption power from grid



Color: Purple

Definition: Feed-in grid power from PV or battery



Color: Orange

Definition: Load power



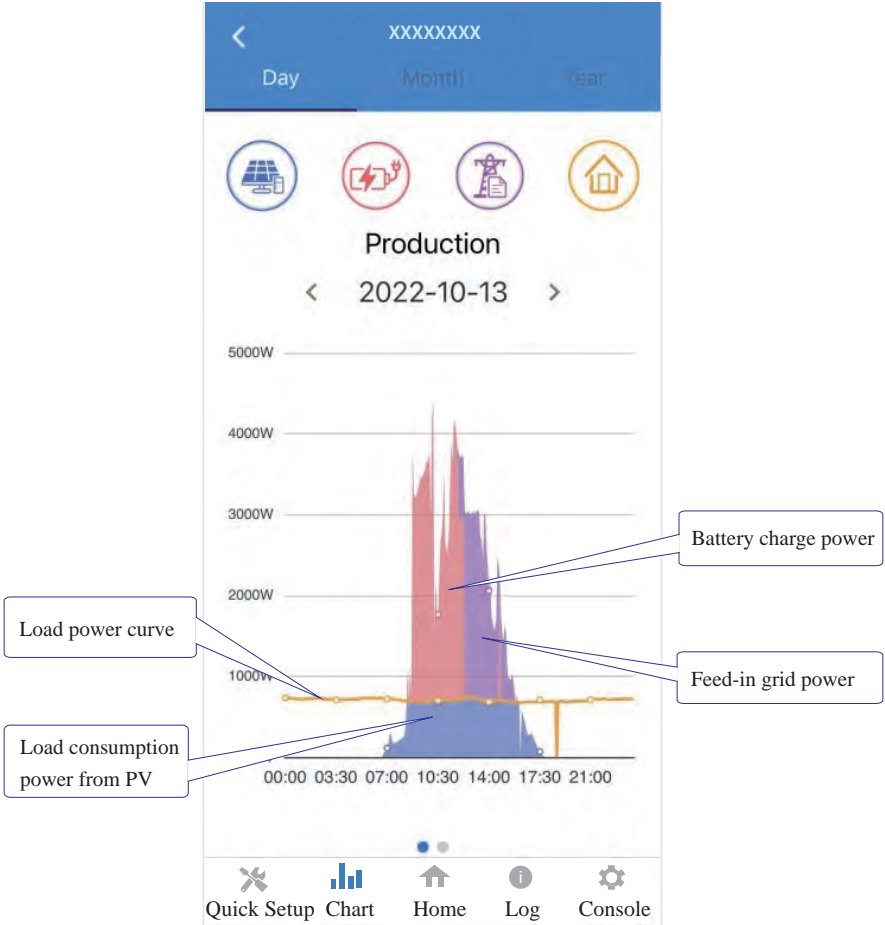
Color: Orange

Definition: PV generating power

1. Query (Daily) Data

Go to [Chart](#) > [Day](#) page. It will show the Daily Production or Consumption Curve in this page. You can swipe the screen left and right to switch the graph.

● Day Chart--Production



The above combination day chart shows the PV production power distributed with three parts:

- load consumption power (Blue)
- battery charge power (Red)
- feed-in grid power (Purple)

● Day Chart--Consumption



The above combination day chart shows the load consumption power from three parts:

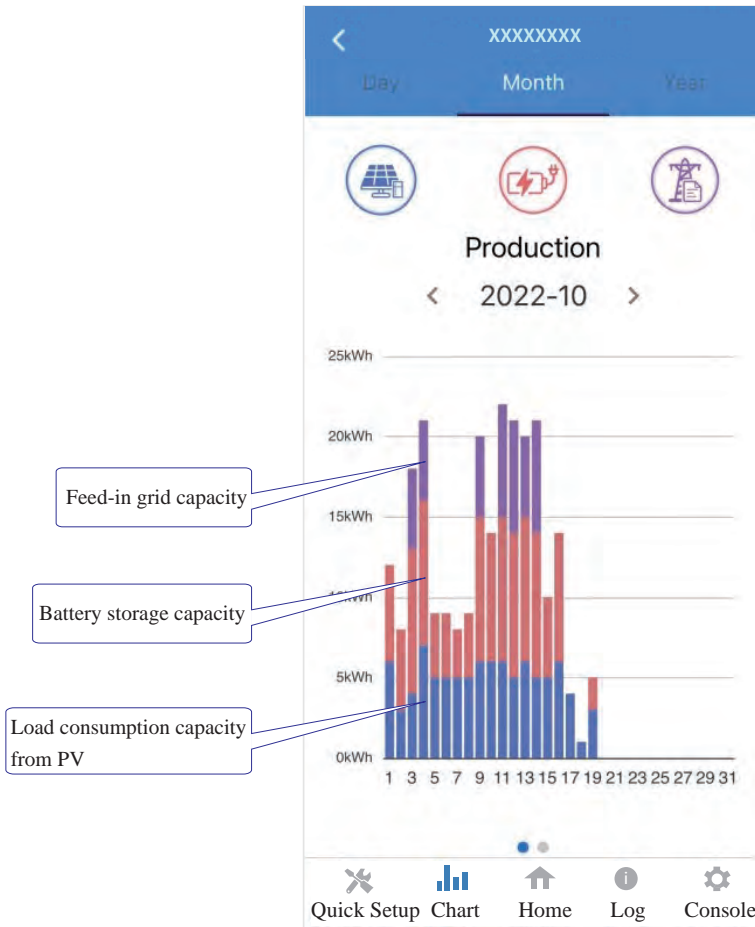
- PV generation power (Blue)
- battery discharge power (Red)
- grid power (Purple)

Power supported by PV + power supported by battery + power supported by grid = Load consumption power.

2. Query (Monthly) Data

Go to [Chart > Month](#) page. It will show the Monthly Production or Consumption Curve in this page. You can swipe the screen left and right to switch the graph.

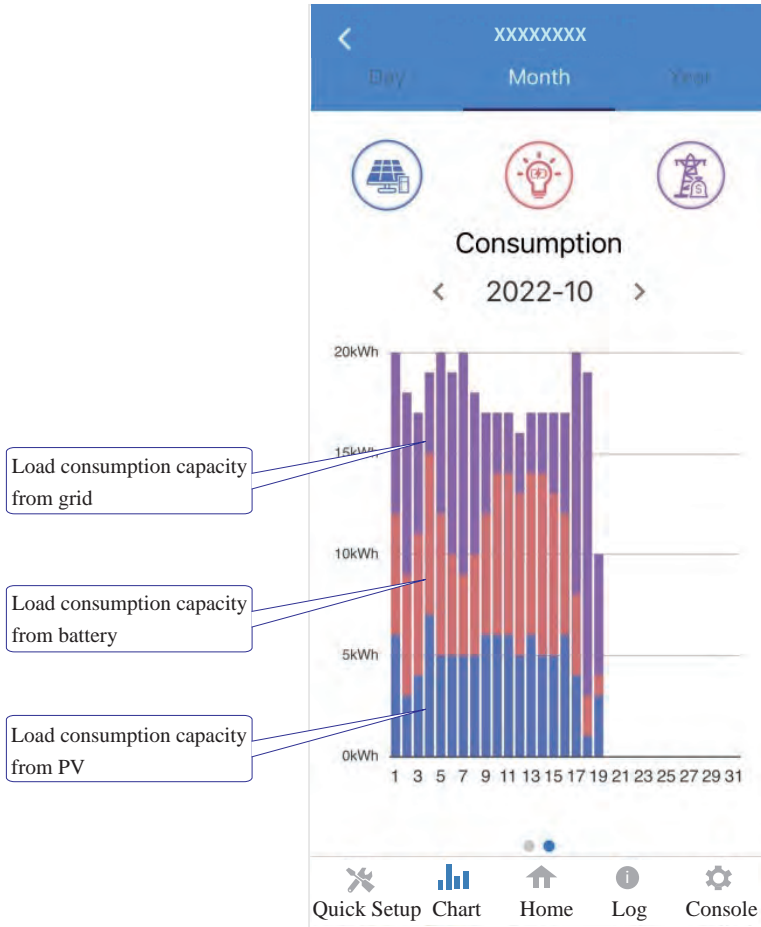
● Month Chart--Production



The above combination day chart shows the load consumption power from three parts:

- load consumption capacity (Blue)
- battery storage capacity (Red)
- feed-in grid capacity (Purple)

● Month Chart--Consumption



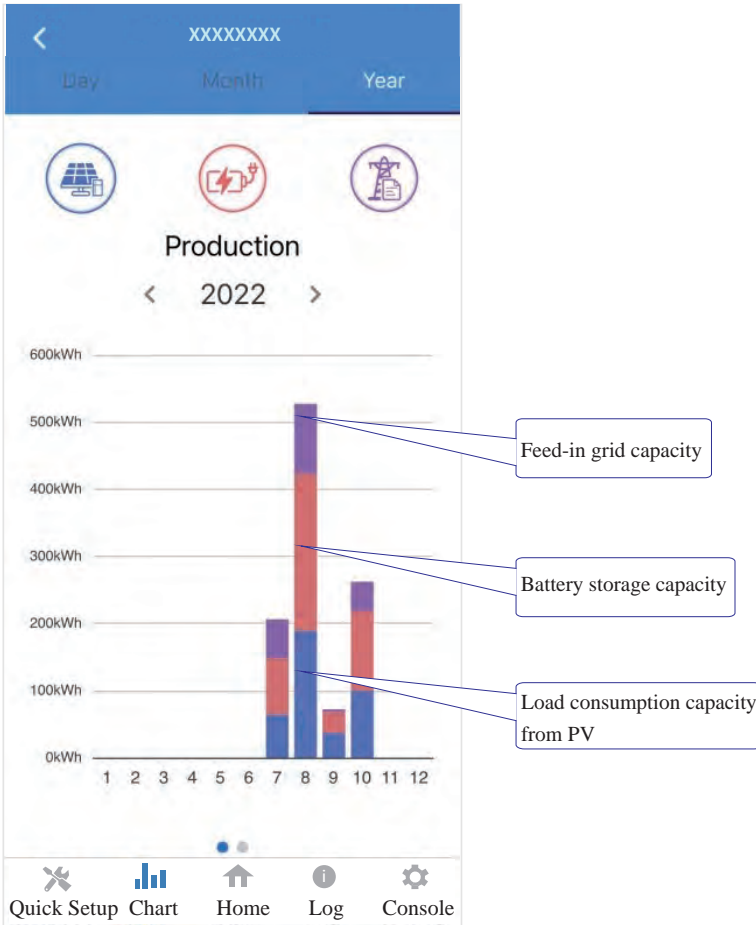
The above combination month chart shows the load consumption capacity from three parts:

- PV generation capacity (Blue)
- battery discharge capacity (Red)
- grid capacity (Purple)

2. Query (Yearly) Data

Go to [Chart > Year](#) page. It will show the Annually Production or Consumption Curve in this page. You can swipe the screen left and right to switch the graph.

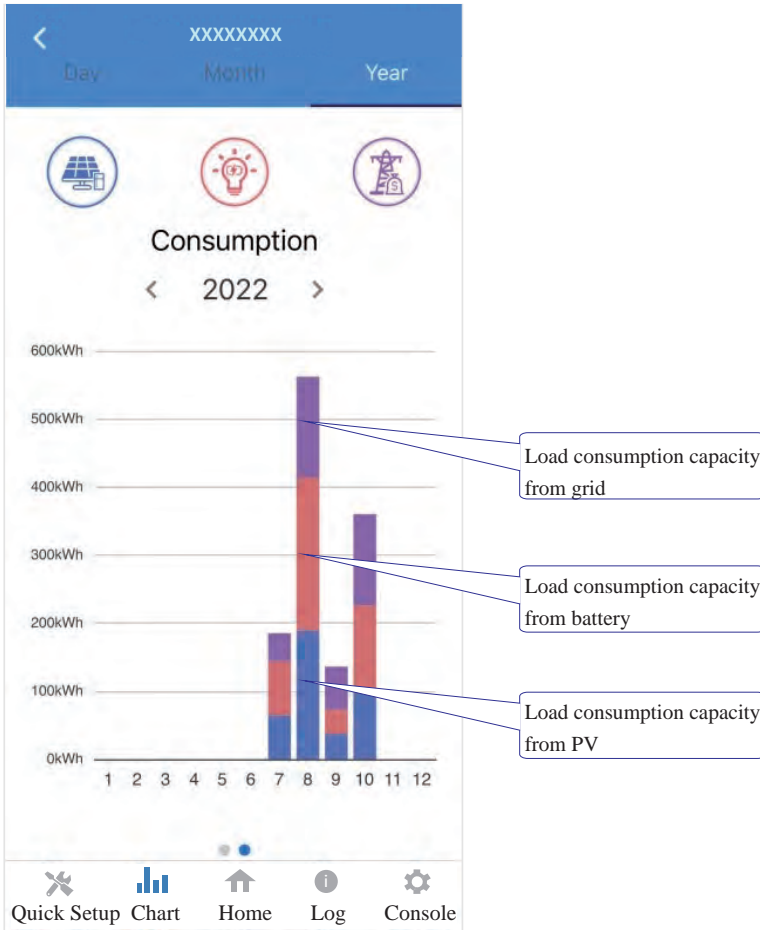
- Year Chart--Production



The above combination year chart shows the distribution of PV production capacity with three parts:

- load consumption capacity (Blue)
- battery storage capacity (Red)
- feed-in grid capacity (Purple)

● Month Chart--Consumption

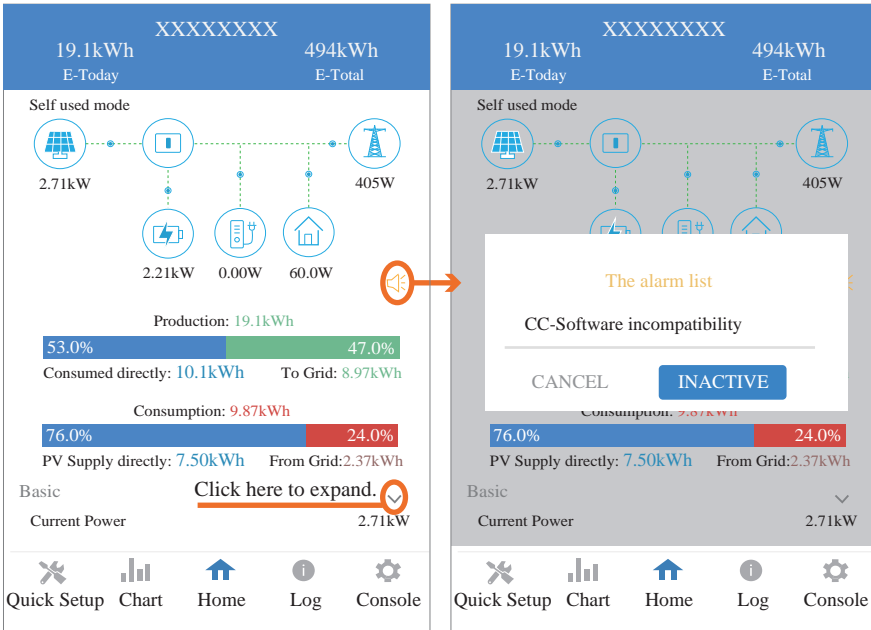


The above combination year chart shows the load consumption capacity from three parts:

- PV generation capacity (Blue)
- battery discharge capacity (Red)
- grid capacity (Purple)

■ Local Setting Homepage

This page shows the basic information of inverter. Click  to display the warning message.



XXXXXXX

19.1kWh E-Today 494kWh E-Total

Self used mode

2.71kW 405W

2.21kW 0.00W 60.0W

Production: 19.1kWh

53.0% 47.0%

Consumed directly: 10.1kWh To Grid: 8.97kWh

Consumption: 9.87kWh

76.0% 24.0%

PV Supply directly: 7.50kWh From Grid: 2.37kWh

Basic [Click here to expand.](#)

Current Power 2.71kW

Quick Setup Chart Home Log Console

The alarm list

CC-Software incompatibility

CANCEL INACTIVE

Consumption: 9.87kWh

76.0% 24.0%

PV Supply directly: 7.50kWh From Grid: 2.37kWh

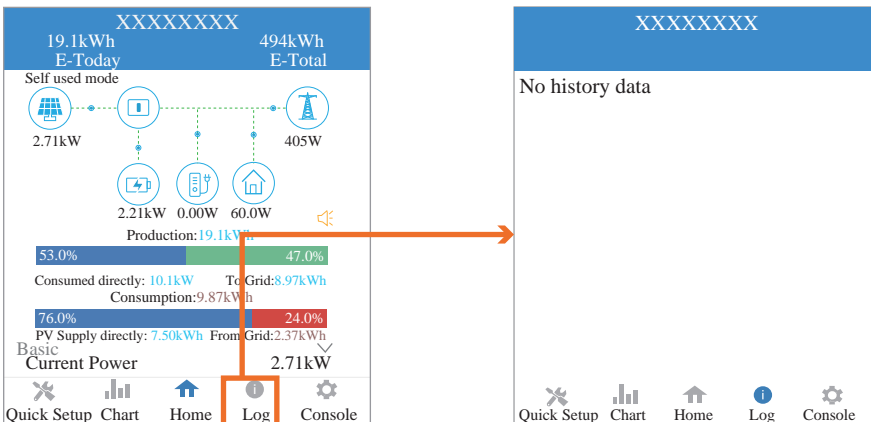
Basic v

Current Power 2.71kW

Quick Setup Chart Home Log Console

■ History Log

Press [Log](#) at the bottom and then go to the history log page (as shown below). It contains all the logs for the inverter.



XXXXXXX

19.1kWh E-Today 494kWh E-Total

Self used mode

2.71kW 405W

2.21kW 0.00W 60.0W

Production: 19.1kWh

53.0% 47.0%

Consumed directly: 10.1kWh To Grid: 8.97kWh

Consumption: 9.87kWh

76.0% 24.0%

PV Supply directly: 7.50kWh From Grid: 2.37kWh

Basic v

Current Power 2.71kW

Quick Setup Chart Home **Log** Console

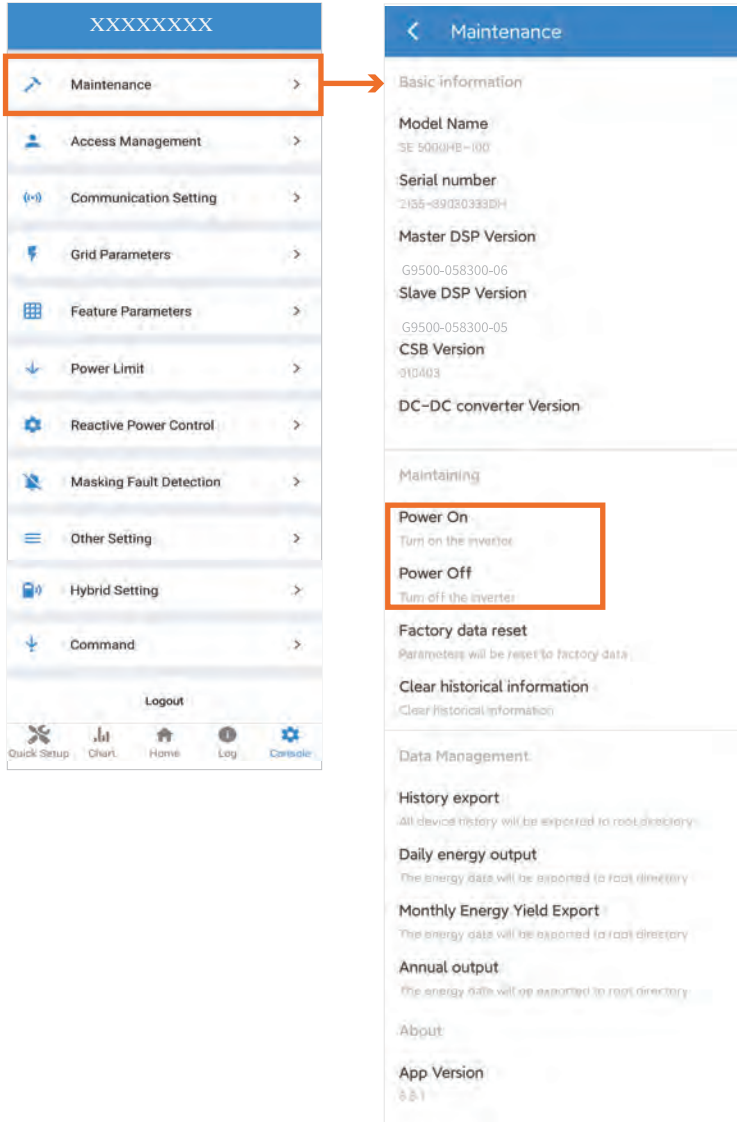
No history data

Quick Setup Chart Home Log Console

■ Console

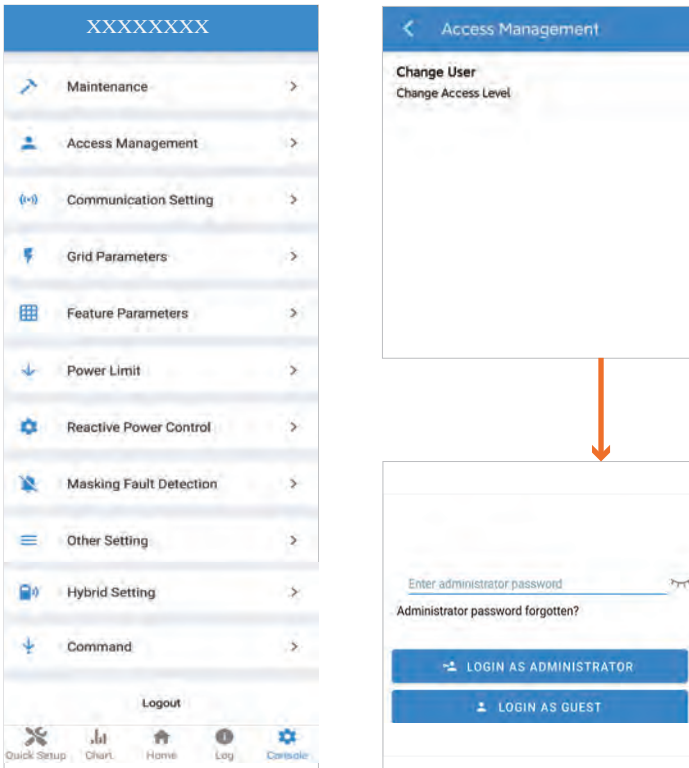
Maintenance

Go to [Console](#) > [Maintenance](#) page. In this page, you can view the basic information like some version information, do some maintaining operations like turn off/on the inverter and manage data.



Access Management

Go to [Console](#) > [Access Management](#) page. In this page, you can switch the login permission.



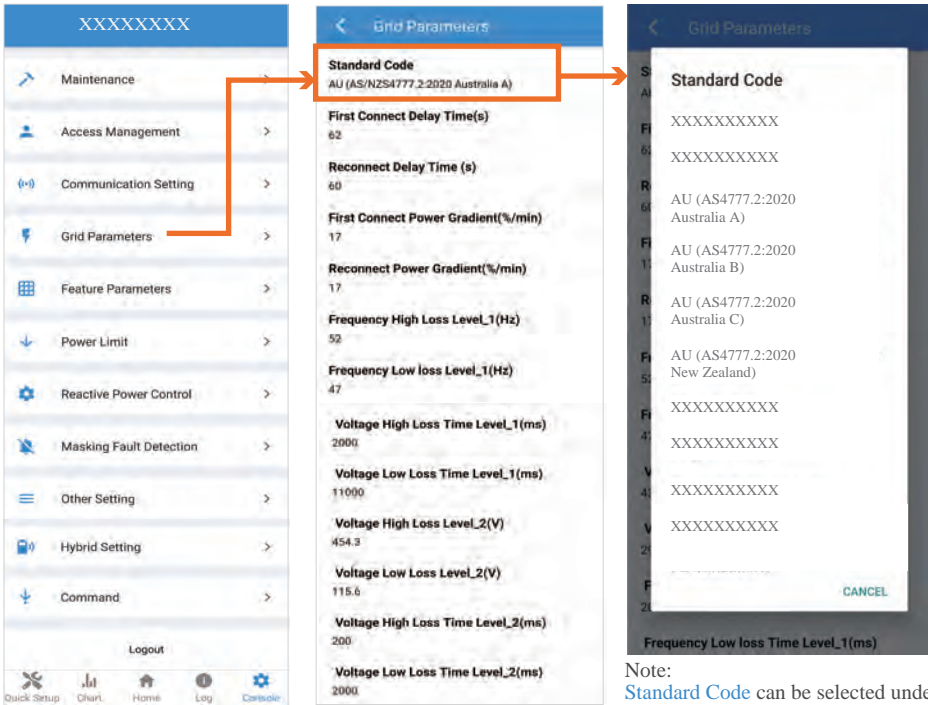
Note:

Click [LOGIN AS ADMINISTRATOR](#) to enter the administrator mode, and set Standard Code. (Please contact the customer service center to get the administrator password.)

Click [LOGIN AS GUEST](#) to enter the guest mode, and view or check Standard Code only.

Country Code Configuration (Only for Administrator Status)

Go to [Console > Grid Parameters](#) page. Follow the steps below to configure the country code for Australia only for Administrator status.



Note:
[Standard Code](#) can be selected under Administrator mode only.

Note:

For Australian Market: Region settings must be selected during commissioning. To comply with AS/NZS 4777.2:2020. Please contact your local electricity grid operator on which region to select.

■ Quick Setup

1. Connect to the router.

Step 1 Go to Quick Setting page.

XXXXXXXXXX

19.1kWh E-Today 494kWh E-Total

Self used mode

2.71kW 405W

2.21kW 0.00W 60.0W

Production: 19.1kWh

53.0% 47.0%

Consumed directly: 10.1kWh To Grid: 8.97kWh

Consumption: 9.87kWh

76.0% 24.0%

PV Supply directly: 7.50kWh From Grid: 2.37kWh

Basic

Current Power 2.71kW

Quick Setup Chart Home Log Console

3. Set parameters of work mode

Step 1 Click each item to enter the parameters of work mode.

Step 2 Click Next.

Step 3 Click Previous back to the previous page.

2. Set parameters of power limit

Step 1 Click each item to enter the parameters of power limit.

Step 2 Click Next.

Step 3 Click Previous back to the previous page.

XXXXXXXXXX

1 2 3

Step1 Set parameters for the inverter to connect to the power limit.

Power control

Meter location XXXXXXXXX

Meter Type

Power flow direction

Digital meter Modbus address

Maximum feed in grid power(W)

Previous Next

XXXXXXXXXX

1 2 3

Step2 Set parameters for the inverter to connect to the work mode.

Hybrid work mode

Battery type selection

EPS Output

Previous Next

4. Start Inverter

Step 1 Click

Step 2 Click Previous back to the previous page.

XXXXXXXXXX

1 2 3

Step3 Please click the button below to start the inverter.

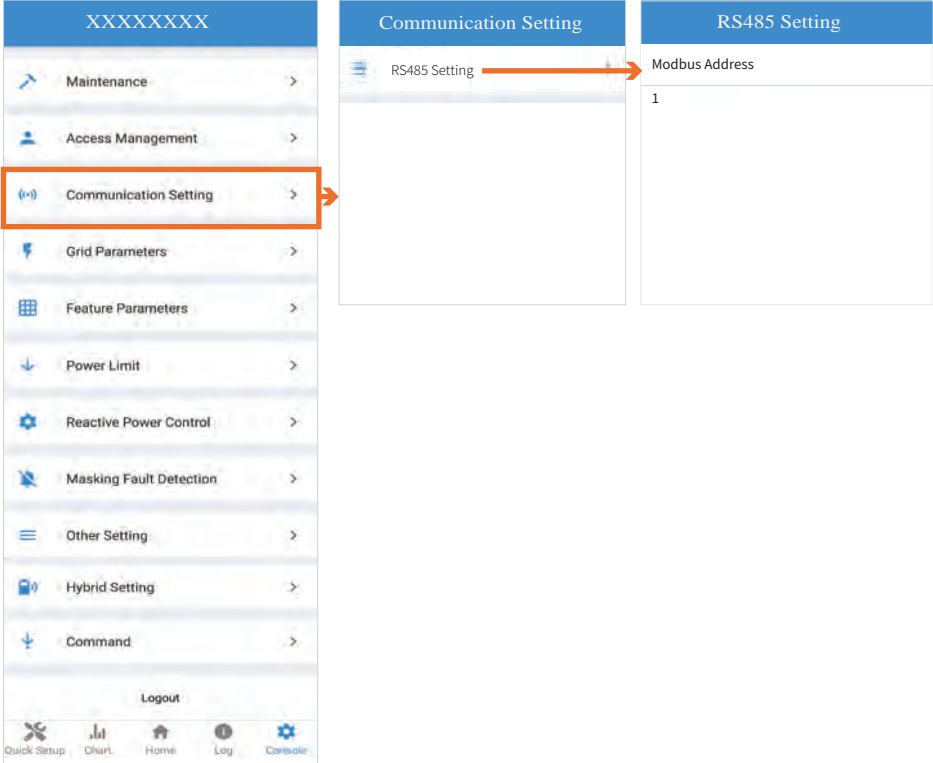
Click it to start.

Previous

■ Console

Communication Setting

Go to [Console > Communication Setting](#) page. In this page, you can set or change the parameters of RS485 Setting.



Grid Parameters

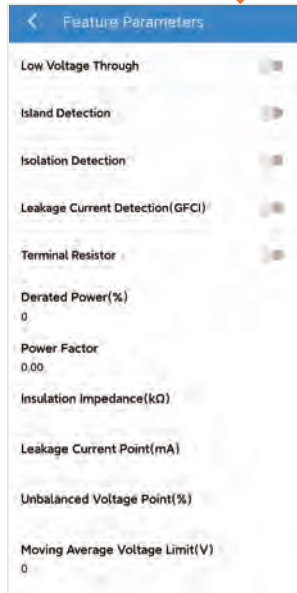
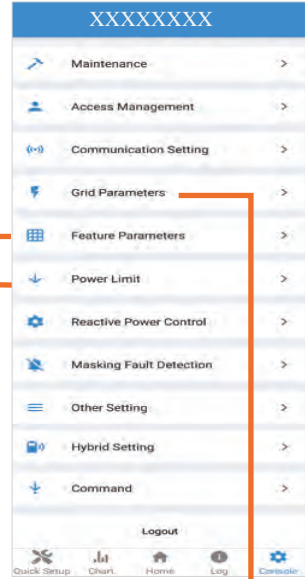
Go to [Console](#) > [Grid Parameters](#) page. In this page, you can set or change the parameters of Grid side, as shown in the figure.

Feature Parameters

Go to [Console](#) > [Feature Parameters](#) page. In this page, you can set or change the feature parameters, as shown in the figure.

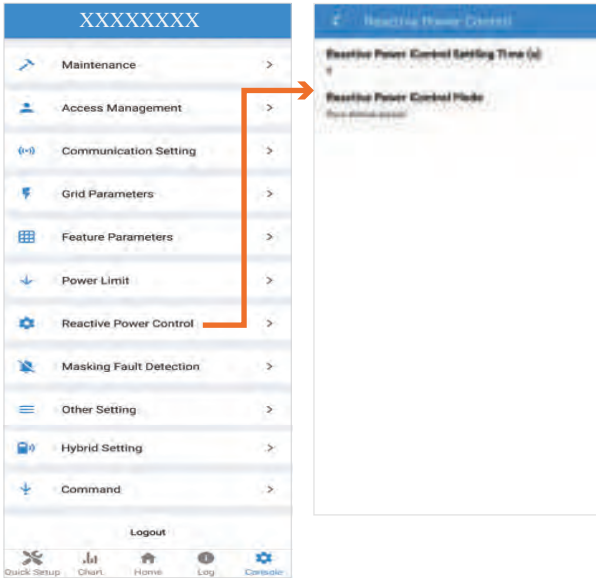
Power Limit

Go to [Console](#) > [Power Limit](#) page. In this page, you can set or change the parameters of power limit , as shown in the figure.



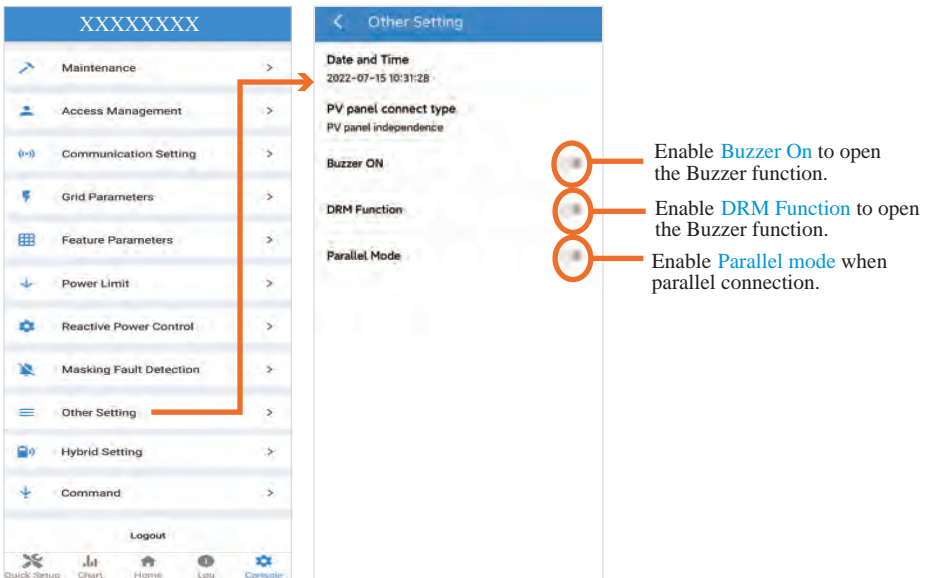
Reactive Power Control

Go to [Console > Reactive Power Control](#) page. In this page, you can set or change the Reactive Power Control parameters.



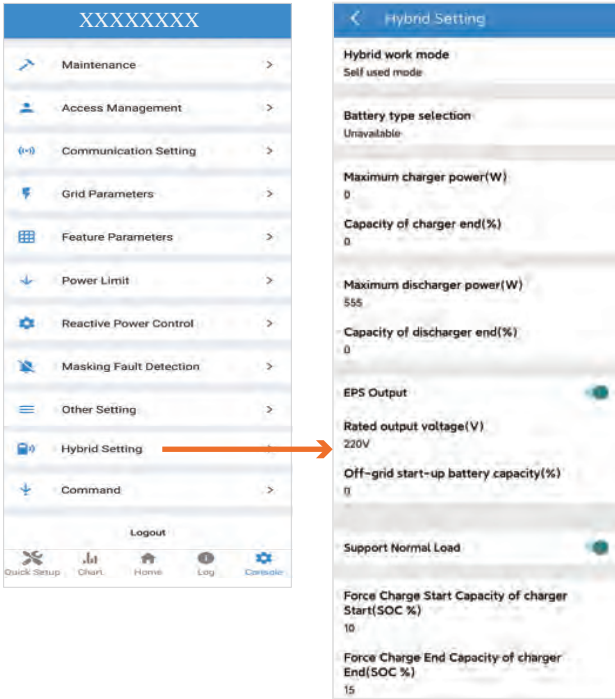
Other Setting

Go to [Console > Other Setting](#) page. In this page, you can set other setting parameters.




Hybrid Setting

Go to [Console > Hybrid Setting](#) page. In this page, you can set Hybrid Setting parameters.



8 Maintenance

 CAUTION	Before maintaining and commissioning inverter and its peripheral distribution unit, switch off all the charged terminals of the inverter and wait at least 10 minutes after the inverter is powered off.
--	--

8.1 Routine Maintenance

Items	Check Content	Maintain Content	Maintenance Interval
Inverter output status	Statistically maintain the status of electrical yield, and remotely monitor its abnormal status.	N/A	Weekly
PV inverter cleaning	Check periodically that the heat sink is free from dust and blockage.	Clean periodically the heat sink.	Yearly
PV inverter running status	Check that the inverter is not damaged or deformed. Check for normal sound emitted during inverter operation. Check and ensure that all inverter communications are running well.	If there is any abnormal phenomenon, replace the relevant parts.	Monthly
PV inverter electrical connections	Check that all AC, DC and communication cables are securely connected; Check that PGND cables are securely connected; Check that all cables are intact and free from aging.	If there is any abnormal phenomenon, replace the cable or re-connect it.	Semiannually

8.2 Inverter Troubleshooting

When the inverter has an exception, its basic common warning and exception handling methods are shown below.

Code	Alarm Information	Suggestions
A0	Grid over voltage	1. If the alarm occurs occasionally, possibly the power grid voltage is abnormal for a short time, and no action is required. 2. If the alarm occurs repeatedly, contact the local power station. After receiving approval of the local power bureau, revise the electrical protection parameters settings on the inverter through the App. 3. If the alarm persists for a long time, check whether the AC circuit breaker /AC terminals is disconnected or not, or if the grid has a power outage.
A1	Grid under voltage	
A3	Grid over frequency	
A4	Grid under frequency	
A2	Grid absent	Wait till power is restored.
B0	PV over voltage	Check whether the maximum voltage of a single string of input PV modules is greater than the allowable voltage. If the maximum voltage is higher than the standard voltage, modify the number of PV module connection strings.
B1	PV insulation abnormal (Earth Fault)	1. Check the insulation resistance against the ground for the PV strings. If a short circuit has occurred, rectify the fault. 2. If the insulation resistance against the ground is less than the default value in a rainy environment, set insulation resistance protection on the App.
B2	Leakage current abnormal (Earth Fault)	1. If the alarm occurs occasionally, the inverter can be automatically recovered to the normal operating status after the fault is rectified. 2. If the alarm occurs repeatedly or last a long time, contact your dealer for technical support.
B4	PV under voltage	1. If the alarm occurs occasionally, possibly the external circuits are abnormal accidentally. The inverter automatically recovers to the normal operating status after the fault is rectified. 2. If the alarm occurs repeatedly or last a long time, check whether the insulation resistance against the ground of PV strings is too low.
C0	Internal power supply abnormal	1. If the alarm occurs occasionally, the inverter can be automatically restored, no action required. 2. If the alarm occurs repeatedly, pls. contact the customer service center.


C2	Inverter over dc-bias current	<p>1. If the alarm occurs occasionally, possibly the power grid voltage is abnormal for a short time, and no action is required.</p> <p>2. If the alarm occurs repeatedly, and the inverter fails to generate power, contact the customer service center.</p>
C3	Inverter relay abnormal	<p>1. If the alarm occurs occasionally, possibly the power grid voltage is abnormal for a short time, and no action is required.</p> <p>2. If the alarm occurs repeatedly, pls. refer to the suggestions or power, contact the customer service measures of Grid over voltage. And the inverter fails to generate center. If there is no abnormality on the grid side, the machine fault can be determined. (If you open the cover and find traces of damage to the relay, it can be concluded that the machine is faulty.) And please contact the customer service center.</p>
CN	Remote off	<p>1. Local manual shutdown is performed in APP.</p> <p>2. The monitor executed the remote shutdown instruction.</p> <p>3. Remove the communication module and confirm whether the alarm disappears. If it does, replace the communication module. Otherwise, please contact the customer service center.</p>
C5	Inverter over temperature	<p>1. If the alarm occurs occasionally, the inverter can be automatically restored, no action required.</p> <p>2. If the alarm occurs repeatedly, pls. check the installation site for direct sunlight, good ventilation, and high ambient temperature (Such as installed on the parapet). If the ambient temperature is lower than 45 °C and the heat dissipation is good, contact the customer service center.</p>
C6	GFCI abnormal	<p>1. If the alarm occurs occasionally, it could have been an occasional exception to the external wiring, the inverter can be automatically recovered, no action required.</p> <p>2. If it occurs repeatedly or cannot be recovered for a long time, please contact customer service to report repair.</p>
B7	PV string reverse	<p>Check and modify the positive and negative polarity of the input of the circuit string.</p>
C8	Fan abnormal	<p>1. If the alarm occurs occasionally, pls. restart the inverter.</p> <p>2. If it occurs repeatedly or cannot be recovered for a long time, check whether the external fan is blocked by foreign objects. Otherwise, contact customer service.</p>
C9	Unbalance Dc-link voltage	<p>1. If the alarm occurs occasionally, the inverter can be automatically recovered and no action is required.</p> <p>2. If the alarm occurs repeatedly, the inverter cannot work properly. Please contact the customer service center.</p>
CA	Dc-link over voltage	<p>Please contact the customer service center.</p>

CB	Internal communication error	<ol style="list-style-type: none"> 1. If the alarm occurs occasionally, the inverter can be automatically recovered and no action is required. 2. If the alarm occurs repeatedly, the inverter cannot work properly. Please contact the customer service center.
CC	Software incompatibility	<ol style="list-style-type: none"> 1. If the alarm occurs occasionally, the inverter can be automatically recovered and no action is required. 2. If the alarm occurs repeatedly, the inverter cannot work properly. Please contact the customer service center.
CD	Internal storage error	<ol style="list-style-type: none"> 1. If the alarm occurs occasionally, the inverter can be automatically recovered and no action is required. 2. If the alarm occurs repeatedly, the inverter cannot work properly. Please contact the customer service center.
CE	Data inconsistency	<ol style="list-style-type: none"> 1. If the alarm occurs occasionally, the inverter can be automatically recovered and no action is required. 2. If the alarm occurs repeatedly, the inverter cannot work properly. Please contact the customer service center.
CF	Inverter abnormal	<ol style="list-style-type: none"> 1. If the alarm occurs occasionally, the inverter can be automatically recovered and no action is required. 2. If the alarm occurs repeatedly, the inverter cannot work properly. Please contact the customer service center.
CG	Boost abnormal	<ol style="list-style-type: none"> 1. If the alarm occurs occasionally, the inverter can be automatically recovered and no action is required. 2. If the alarm occurs repeatedly, the inverter cannot work properly. Please contact the customer service center.
CJ	Meter lost	<ol style="list-style-type: none"> 1. Check the meter parameter Settings 2. Local APP checks that the communication address of the inverter is consistent with that of the electricity meter 3. The communication line is connected incorrectly or in bad contact. 4. electricity meter failure. 5. Exclude the above, if the alarm continues to occur, please
P1	Parallel ID warning	It is Parallel ID Alarm. Please check the parallel communication cable, and check whether any inverter joins or exits online. All inverters are powered off completely. Check the line, and then power on the inverters again to ensure that the alarm is cleared.
P2	Parallel SYN signal warning	Parallel synchronization signal is abnormal. Check whether the parallel communication cable is properly connected.
P3	Parallel BAT abnormal	The parallel battery is abnormal. Whether the battery of the inverter is reported low voltage or the battery is not connected.
P4	Parallel GRID abnormal	The parallel grid is abnormal. Whether the grid of the inverter is abnormal.

D2	Battery over voltage	<ol style="list-style-type: none"> 1. If the alarm occurs occasionally, the inverter can be automatically recovered and no action is required. 2. Check that the battery overvoltage protection value is improperly set. 3. The battery is abnormal. 4. If exclude the above, the alarm continues to occur, please contact the customer service center.
D3	Battery under voltage	<ol style="list-style-type: none"> 1. If the alarm occurs occasionally, the inverter can be automatically recovered and no action is required. 2. Check the communication line connection between BMS and inverter (lithium battery). 3. The battery is empty or the battery voltage is lower than the SOC cut-off voltage. 4. The battery undervoltage protection value is improperly set. 5. The battery is abnormal. 6. If exclude the above, the alarm continues to occur, please contact the customer service center.
D4	Battery discharger over current	<ol style="list-style-type: none"> 1. Check whether the battery parameters are correctly set. 2. Battery undervoltage. 3. Check whether a separate battery is loaded and the discharge current exceeds the battery specifications. 4. The battery is abnormal. 5. If exclude the above, the alarm continues to occur, please contact the customer service center.
D5	Battery over temperature	<ol style="list-style-type: none"> 1. If the alarm occurs repeatedly, please check whether the installation site is in direct sunlight and whether the ambient temperature is too high (such as in a closed room).
D6	Battery under temperature	<ol style="list-style-type: none"> 2. If the battery is abnormal, replace it with a new one 3. If exclude the above, the alarm continues to occur, please contact the customer service center.
D7	EPS output voltage abnormal	<ol style="list-style-type: none"> 1. Check whether the EPS voltage and frequency Settings are within the specified range. 2. Check whether the EPS port is overloaded. 3. When not connected to the power grid, check whether EPS output is normal 4. If exclude the above, the alarm continues to occur, please contact the customer service center.
D8	Communication error (Inverter-BMS)	<ol style="list-style-type: none"> 1. Check whether the battery is disconnected. 2. Check whether the battery is well connected with the inverter. 3. Confirm that the battery is compatible with the inverter. It is recommended to use CAN communication. 4. Check whether the communication cable or port between the battery and the inverter is faulty. 5. If exclude the above, the alarm continues to occur, please contact the customer service center.

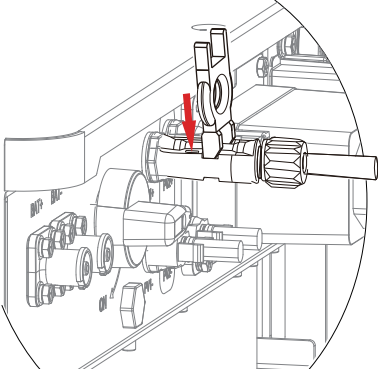

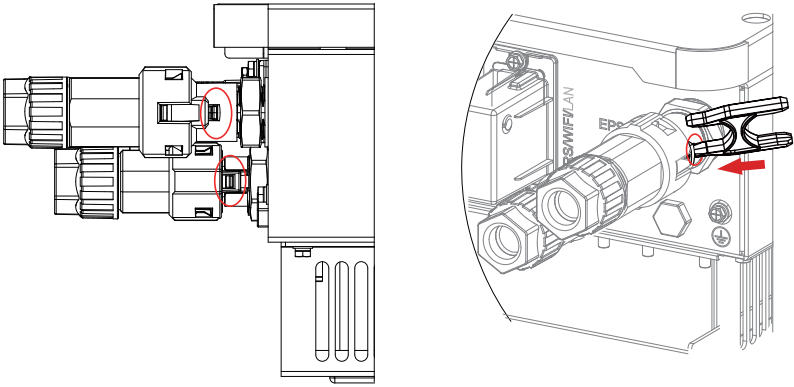
D9	Internal communication loss (E-M)	<ol style="list-style-type: none"> 1. Check whether the communication cables between EPS, electricity meter and inverter are well connected and whether the wiring is correct. 2. Check whether the communication distance is within the specification range.
DA	Internal communication loss (M-D)	<ol style="list-style-type: none"> 3. Disconnect the external communication and restart the electricity meter and inverter. 4. If exclude the above, the alarm continues to occur, please contact the customer service center.
CU	Dcdc abnormal	<ol style="list-style-type: none"> 1. If the alarm occurs occasionally, the inverter can be automatically recovered and no action is required. 2. If the alarm occurs repeatedly, please check: <ol style="list-style-type: none"> 1) Check whether the MC4 terminal on the PV side is securely connected. 2) Check whether the voltage at the PV side is open circuit, ground to ground, etc. If exclude the above, the alarm continues to occur, please contact the customer service center.
CP	EPS over dc-bias voltage	<ol style="list-style-type: none"> 1. If the alarm occurs occasionally, the inverter can be automatically recovered and no action is required. 2. If the alarm occurs repeatedly, the inverter cannot work properly. Please contact the customer service center.
DB	EPS short circuit	<ol style="list-style-type: none"> 1. Check whether the live line and null line of EPS output are short-circuited. 2. If it is confirmed that the output isn't short-circuited or an alarm, please contact customer service to report for repair (after the troubleshooting of alarm problems, EPS switch needs to be manually turned on during normal use)
DC	EPS over load	<ol style="list-style-type: none"> 1. Disconnect the EPS load and check whether the alarm is cleared. 2. If the load is disconnected and the alarm is generated, please contact the customer service. (After the alarm is cleared, the EPS switch needs to be manually turned on for normal use.)

8.3 Removing the Inverter

 WARNING	Before removing DC input connector, double check DC input switch is turned to OFF to avoid inverter damage and personal injury.
--	---

Perform the following procedures to remove the inverter:

Step 1. Disconnect all cables from the inverter, including communications cables, DC input power cables, AC output power cables, Battery power cable and PGND cable, as shown below.

 <p>PV Connectors Removing Detail</p>	<p> NOTE</p> <p>To remove the PV/Grid/EPS connectors, insert the removal tool into the bayonet according to the position indicated in the drawing, press inward, and then take out the connector outward.</p>
 <p>Grid/EPS Connectors Removing Detail</p>	

Step 2. Remove the inverter from the mounting bracket.

Step 3. Remove the mounting bracket.

Appendix

Model	PV 4K6HB-60	PV 4K6HB-120	PV 5KHb-60	PV 5KHb-120	PV 6KHb-60	PV 6KHb-120	PV 4K6AC	PV 5KAC	PV 6KAC
Efficiency									
Max. efficiency (PV to AC)	97.30%								
Max. efficiency (AC to BAT)	94.00%								
Input (PV)									
Max. PV configuration (STC1)	133%								
Max. PV power (W)	9000								
Max. PV voltage (V)	550								
Max. input current (A)	15/15								
Max. short current (A)	20/20								
Startup voltage (V)	90								
MPPT voltage range@full load (V)	200~480	200~480	200~480	200~480	230~480	230~480	NA	NA	NA
No. of MPPT trackers	2								
String per MPPT tracker	1								
Input (BAT)									
Compatible battery type	Lithium-ion/Lead-acid								
Nominal battery voltage (V)	48								
Battery voltage range (V)	40~60								
Lithium battery charge curve	Self-adaption to BMS								
Max. charge/discharge current (A)	60/60	120/120	60/60	120/120	60/60	120/120	100/100	100/100	120/120
Max. charge/discharge power (W)	3000/3000	6000/6000	3000/3000	6000/6000	3000/3000	6000/6000	5000/5000	5000/5000	6000/6000
Input (AC)									
AC output rated current (A)	20	20	21.7	21.7	26	26	21.7	21.7	26
Output (Grid)									
Nominal AC output power (W)	4600	4600	5000	5000	6000	6000	4600	5000	6000
Nominal AC output apparent power (VA)	4600	4600	5000	5000	6000	6000	4600	5000	6000
Max.AC output apparent power (VA)	5060	5060	5500	5500	6000	6000	5060	5500	6000
Max.AC output current (A)	13	20	13	21.7	27.2	27.2	22	25	27.2
Rated AC voltage (V)	220/230/240								
AC voltage range (V)	150~300 (adjustable)								
Rated AC frequency (Hz)	50/60								
AC frequency range (Hz)	45~55/55~65 (adjustable)								
Grid connection	Single phase								
Power factor	>0.99@rated power (adjustable 0.8LG~0.8LD)								
THDI	<3%								

Output (Back up)						
Nominal output voltage (V)	230					
Nominal output frequency (Hz)	50/60					
Transfer time (ms)	10 (type)/20 (max.)					
THDV	<3%@100%R load					
Nominal output power (W)	3000	4600	3000	5000	6000	6000
Nominal output current (A)	13	20	13	21.7	26	26
Max. output fault current(A)	100A/1us					
Protection						
Protection category	Class I					
AC overcurrent protection	Support					
AC short circuit protection	Support					
Leakage current protection	Support					
AC overvoltage category	III					
PV overvoltage category	II					
Surge Arrester	DC Type III; AC Type III					
PV switch	Support					
Anti-islanding protection	Support(Frequency shift)					
DC reverse connection	Support					
Insulation detection	Support					
General						
Topology	Transferless					
Max. operation altitude (m)	4000					
Ingress protection degree	IP65					
Operating temperature range (°C)	-25~-60					
Noise emission (dB)	<=30	<=35	<=30	<=35	<=35	<=35
Weight (kg)	20	2.5	20	25	25	20
Relative humidity (%)	0~100					
Cooling concept	Natural					
Mounting	Wall bracket					
Dimensions (W*H*D)	(515*487*175)mm					
PV connection way	MC4/H4					
Battery connection way	Dedicated DC connector					
AC connection way (Grid & back up)	Dedicated DC connector					

Display & Communication	LED+ APP
Display	
Communication interface	RS485/CAN (for BMS), RS485, USB, DRM/RS485 (for Meter), Optional: WIFI/GPRS/LAN
Certification	
Grid	VDE-AR-N4105, IEC 61727/62116, AS 4777, EN 50549-1, G99, CEI 0-21, NRS 097-2-1
Safety	IEC62109-1&2; IEC62477-1; IEC62040-1
EMC	IEC61000-6-1/2/3/4
Warranty	
Period (Years)	10

As the technology is constantly updated and improved, the illustrations in this document are for reference only. Contents include illustrations in this document are subject to change without notice. All rights reserved.